



OPERATING INSTRUCTIONS

EN

Original

ROTARY VANE PUMP

Uno 35/65 | Duo 35/65

PFEIFFER  **VACUUM**



PK0168BEN_Q

PK0168



Table of contents

1	About this manual	5
1.1	Validity	5
	1.1.1 Related documents	5
	1.1.2 Variants	5
1.2	Target group	5
1.3	Conventions	6
	1.3.1 Abbreviations	6
	1.3.2 Pictographs	6
	1.3.3 Stickers in the product	6
	1.3.4 Symbols used	7
	1.3.5 Instructions in the text	7
2	Safety	8
2.1	General safety instructions	8
2.2	Safety instructions	8
2.3	Safety precautions	10
2.4	Safety precautions for handling pumps with magnetic coupling	10
2.5	Limits of use of the product	11
2.6	Proper use	11
2.7	Foreseeable improper use	11
3	Product description	12
3.1	Product identification	12
3.2	Scope of delivery	12
3.3	Functional description	12
3.4	Operating principle	14
4	Transportation and Storage	15
4.1	Transport	15
4.2	Storage	15
5	Installation	17
5.1	Installing the pump	17
5.2	Connecting the vacuum side	18
5.3	Connecting the exhaust side	18
5.4	Establishing mains connection	20
	5.4.1 Three phase motor with 6-pin terminal board	20
	5.4.2 Three phase motor with 9-pin terminal board	21
	5.4.3 Checking the direction of rotation	22
	5.4.4 Motor protection	22
	PTC thermistor temperature sensor (3TF)	22
	Motor protection switch	23
	5.4.5 Motor control	24
	Frequency converter (applies to 3-phase motor)	24
	Soft start	24
5.5	Refilling operating fluid	24
5.6	Connecting accessories	25
	5.6.1 Solenoid valve for gas ballast valve (standard version)	26
	5.6.2 Solenoid valve for gas ballast valve (C version)	27
	5.6.3 Process monitoring (option)	27
	5.6.4 Gas flushing device	28
6	Operation	31
6.1	Commissioning	31
6.2	Switching on	31
6.3	Operation with gas ballast	32
	6.3.1 Gas ballast valve – standard version	32



6.3.2	Gas ballast valve with flushing gas connection (option)	32
6.3.3	Gas ballast valve with solenoid valve (option)	33
6.4	Operation with flushing gas	34
6.5	Refilling operating fluid	34
6.6	Switching off the pump	35
6.6.1	Venting the vacuum chamber	35
6.6.2	Maintaining the vacuum in the chamber	35
7	Maintenance	36
7.1	Maintenance instructions	36
7.2	Maintenance instructions for M or MC version magnetic coupling	36
7.3	Checklist for inspection and maintenance!	37
7.4	Changing the operating fluid	38
7.4.1	Degree of aging of P3 operating fluid	38
7.4.2	Draining the operating fluid	39
7.4.3	Rinsing and cleaning	40
7.5	Cleaning the gas ballast valve	40
7.5.1	Gas ballast valve – standard version	40
7.5.2	Gas ballast valve – corrosive gas version	41
7.5.3	Adjusting the gas ballast valve silencer	42
7.6	Changing operating fluid type	43
7.7	Checking the oil level in the oiler (C version pumps only)	43
8	Decommissioning	45
8.1	Shutting down for longer periods	45
8.2	Recommissioning	45
8.3	Disposal	45
9	Malfunctions	46
10	Service solutions from Pfeiffer Vacuum	48
11	Spare parts	50
11.1	Spare parts packs	50
11.1.1	Set of seals	51
11.1.2	Maintenance kit 1 – maintenance level 1	52
11.1.3	Overhaul kit and set of seals	52
11.1.4	Set of vanes	52
11.1.5	Coupling set	53
12	Technical data and dimensions	54
12.1	General	54
12.2	Technical data	54
12.3	Dimensions	59
13	Accessories	62
	Declaration of conformity	64



1 About this manual



IMPORTANT

Read carefully before use.
Keep the manual for future consultation.

1.1 Validity

These operating instructions are for customers of Pfeiffer Vacuum. They describe the function of the designated product and provide the most important information for a safe usage of the product. The descriptions comply with applicable directives. All information provided in these operating instructions refer to the current development status of the product. The documentation remains valid as long as the customer does not modify the product in any way.

1.1.1 Related documents

Uno 35/65 Duo 35/65	Operating instructions
Declaration of conformity	A component of these instructions

Current documents are available from the [Pfeiffer Vacuum Download Center](#).

1.1.2 Variants

These instructions apply to Uno/DuoLine series vacuum pumps:

Pump type	Pump version
Uno 35/65 Duo 35/65	Pump in standard version
Duo 35/65 C	C version pump – changes relative to the standard version: <ul style="list-style-type: none"> • Operating fluid F5 • Vane material changed • Hose connection and dosage spindle on gas ballast valve • Oiler for shaft feedthrough • Leakage rate $\leq 1 \times 10^{-7}$ Pa m³/s
Uno 35/65 M Duo 35/65 M	M version pump – changes relative to the standard version: <ul style="list-style-type: none"> • Magnetic coupling • Leakage rate $\leq 1 \times 10^{-7}$ Pa m³/s
Duo 35/65 MC	MC version pump – changes relative to the standard version: <ul style="list-style-type: none"> • Operating fluid F5 • Vane material changed • Hose connection and dosage spindle on gas ballast valve • Magnetic coupling • Leakage rate $\leq 1 \times 10^{-7}$ Pa m³/s

1.2 Target group

This operating instructions are aimed at all persons performing the following activities on the product:

- transport,
- setup (installation),
- usage and operation,
- decommissioning,
- maintenance and cleaning,
- storage or disposal.

The work described in this document is only permitted to be performed by persons with the appropriate technical qualifications (expert personnel) or who have received the relevant training from Pfeiffer Vacuum.

1.3 Conventions

1.3.1 Abbreviations

Abbreviation	Meaning in this document
C version	Corrosive gas version
M version	Version with magnetic coupling
MC version	Corrosive gas version with magnetic coupling
OME	Oil mist filter (Oil Mist Eliminator)
RSSR	Radial shaft seal ring
3TF	PTC thermistor temperature sensor

Tbl. 1: Abbreviations used in this document

1.3.2 Pictographs

Pictographs used in the document indicate useful information.



Note



Tip

1.3.3 Stickers in the product

This section describes all the stickers on the product along with their meaning.

- **Warning**
Hot surface
- **Label**
Fill pump with oil prior to commissioning.
- **Label**
CAUTION! Check the direction of rotation of the pump before filling with oil.
- **Rating plate**
The rating plate is located on the pump housing next to the sight glass.
- **Motor rating plate**
The motor rating plate is located on the motor (not shown).

Vor Inbetriebnahme.
Fill the pump with ...
Remplir la pompe ...






ACHTUNG!
ATTENTION!
ATTENTION

PFEIFFER VACUUM
DUO 35
Mod.-Nr.: PK D45 XXX
Ser.-Nr.: 0014440
S_{inj} : max. 2.5/2.9 m³/h
Oil : P3 0.4 l
Mass : 11.2 kg
n_{max} : XXXX 1/min
Made in Germany 200501 CE

Tbl. 2: Product stickers



1.3.4 Symbols used

	Vacuum connection
	Exhaust connection
	Gas ballast connection
	Measurement connection
	Electrical connection

Tbl. 3: Symbols used in this document

1.3.5 Instructions in the text

Usage instructions in the document follow a general structure that is complete in itself. The required action is indicated by a individual or multi-part action steps.

Individual action step

A horizontal, solid triangle indicates the only step in an action.

- ▶ This is an individual action step.

Sequence of multi-part action steps


The numbering indicates an action with multiple action steps required.

1. Action step 1
2. Action step 2
3. ...

2 Safety

2.1 General safety instructions

This document includes the following four risk levels and one information level.

⚠ DANGER	
<p>Imminent danger Indicates a hazardous situation which, if not avoided, will result in death or serious injury.</p> <ul style="list-style-type: none"> ▶ Instructions on avoiding the hazardous situation 	
⚠ WARNING	
<p>Possibly imminent danger Indicates a hazardous situation which, if not avoided, could result in death or serious injury.</p> <ul style="list-style-type: none"> ▶ Instructions on avoiding the hazardous situation 	
⚠ CAUTION	
<p>Possibly imminent danger Indicates a hazardous situation which, if not avoided, could result in minor or moderate injury.</p> <ul style="list-style-type: none"> ▶ Instructions on avoiding the hazardous situation 	
NOTICE	
<p>Danger of property damage Notice is used to address practices not related to physical injury.</p> <ul style="list-style-type: none"> ▶ Instructions on avoiding property damage 	
<div style="border: 1px solid black; padding: 5px; display: inline-block;">  </div>	Notes, tips or examples identify important information on the product or on this document.

2.2 Safety instructions

All safety instructions in this document are based on the results of the risk assessment carried out in accordance with Machinery Directive 2006/42/EC Annex I and EN ISO 12000 Section 5. Where applicable, all life cycle phases of the product were taken into account.

Risks during transport

⚠ WARNING
<p>Danger of serious injury from falling or swinging objects Falling or swinging objects during transport pose a danger of injuries to limbs, up to and including bone fractures.</p> <ul style="list-style-type: none"> ▶ Prevent people from remaining below the suspended load. ▶ Secure the danger zone if necessary. ▶ Avoid diagonal pulling of the crane rope. ▶ Wear protective equipment, e.g. safety shoes.



Risks during installation

⚠ WARNING**Danger of injury from electric shock**

Contact with live parts causes electric shock.

- ▶ Make sure that connection leads are voltage-free.
- ▶ Make sure that electrical installations are only carried out by qualified electricians.
- ▶ Provide adequate grounding for the device.

⚠ WARNING**Danger of poisoning from toxic vapors**

Igniting and heating synthetic operating fluid generates toxic vapors. Danger of poisoning if inhaled.

- ▶ Observe the application instructions and precautions.
- ▶ Do not allow tobacco products to come into contact with the operating fluid.

Risks during operation

⚠ WARNING**Danger of poisoning due to emission of toxic process gases from the exhaust**

During operation with no exhaust line, the vacuum pump allows exhaust gases and vapors to escape freely into the air. In processes involving toxic media, there is a risk of injury and danger to life due to poisoning.

- ▶ Observe the relevant regulations for handling toxic substances.
- ▶ Safely purge toxic process gases via an exhaust line.
- ▶ Use suitable filter equipment to separate toxic substances.

⚠ CAUTION**Risk of injury from bursting due to high pressure in the exhaust line**

Faulty or insufficient exhaust lines cause hazardous situations, e.g. increase in exhaust pressure. There is a risk of bursting. It is not possible to rule out the risk of injuries due to broken pieces flying around, high escaping pressure and damage to the equipment.

- ▶ Lay the exhaust line without shut-off units.
- ▶ Observe the permissible pressures and pressure differentials of the product.
- ▶ Check the exhaust line regularly for correct function.

⚠ CAUTION**Danger of burns on hot surfaces**

Depending on the operating and ambient conditions, the surface temperature of the pump can rise to above 70°C.

- ▶ Provide suitable touch protection.

Risks during maintenance

⚠ WARNING**Danger of injury from strong magnetic field**

There is a risk of injury for people with pacemakers and medical implants.

- ▶ Make sure that such individuals do not enter the sphere of influence (≤ 2 m) of the magnetic field.
 - Identify rooms in which magnetic couplings are openly accessible with the symbol: "**No access for people with pacemakers**"
- ▶ Always keep disassembled couplings away from computers, data carriers, and other electronic components.



⚠ WARNING

Danger to life from electric shock in the event of a fault

In the event of a fault, parts connected to the mains may be live.

- ▶ Always keep the mains connection freely accessible so you can disconnect it at any time.

⚠ WARNING

Health risk and environmental damage due to poisoning on toxic contaminated parts or devices

Toxic process media result in contamination of the devices or parts thereof. During maintenance work there is a health risk due to contact with these poisonous substances. The non-permitted disposal of toxic substances results in environmental damage.

- ▶ Take appropriate safety precautions and avoid health risks or environmental hazards due to toxic process media.
- ▶ Decontaminate the affected parts before carrying out maintenance work.
- ▶ Wear protective equipment.

⚠ CAUTION

Scalding from hot operating fluid

Danger of burns when draining operating fluid if it comes into contact with the skin.

- ▶ Wear protective equipment.
- ▶ Use a suitable collection receptacle.

2.3 Safety precautions



Information requirement on possible hazards

The owner or operator of the product is required to make all operating personnel aware of hazards arising from the use of this product.

Every person who is involved in the installation, operation or maintenance of the product must have read and understood the safety-relevant parts of this documentation.



Infringement of EU conformity due to modifications to the product

The Declaration of Conformity from the manufacturer is no longer valid if the operator changes the original product or installs additional equipment.

- Following installation into a system, the operator is required to check and re-evaluate as necessary the conformity of the overall system in the context of the relevant EU Directives before commissioning that system.

General safety precautions when handling the product

- ▶ Observe all applicable safety and accident prevention regulations.
- ▶ Check that all safety measures are observed at regular intervals.
- ▶ Do not expose body parts to the vacuum.
- ▶ Always ensure a secure connection to the earthed conductor (PE).
- ▶ Never disconnect plug connections during operation.
- ▶ Observe the above shutdown procedures.
- ▶ Keep lines and cables away from hot surfaces (> 70°C).
- ▶ Never fill or operate the unit with cleaning agents or cleaning agent residues.
- ▶ Do not carry out your own conversions or modifications on the unit.
- ▶ Observe the unit protection class prior to installation or operation in other environments.
- ▶ Provide suitable touch protection, if the surface temperature exceeds 70°C.

2.4 Safety precautions for handling pumps with magnetic coupling

The following safety instructions are only valid for the disassembly of the drive system for a vacuum pump with a magnetic coupling:



Safety precautions

- ▶ Keep disassembled magnetic couplings away from people with pacemakers.
 - Minimum distance: **2 m**
- ▶ Avoid convergence of the disassembled magnetic coupling components.
- ▶ Keep magnetized parts away from the magnetic coupling.
- ▶ Always keep a disassembled magnetic coupling away from computers, data carriers, and other electronic components.
 - The magnetic coupling can influence operational reliability of electrical and electronic devices.

2.5 Limits of use of the product

Parameter	DuoLine
Ambient temperature	+12 °C to +40 °C
Pumped medium intake temperature, max.	+40 °C

Tbl. 4: Limits of use of the pump

2.6 Proper use

- ▶ Use the vacuum pump for vacuum generation only.
- ▶ Use standard operating fluid with $\leq 21\%$ oxygen concentration only.
- ▶ Use application-specific operating fluid at higher oxygen concentrations only following consultation with Pfeiffer Vacuum.
- ▶ Adhere to the installation, commissioning, operating, and maintenance instructions.
- ▶ Do not use any accessory parts other than those recommended by Pfeiffer Vacuum.

2.7 Foreseeable improper use

Improper use of the product invalidates all warranty and liability claims. Improper use is any, even unintended, use, which is contrary to the product purpose; and in particular:

- Pumping of corrosive media
- Pumping of radioactive media
- Pumping of gases that introduce an ignition source to the suction chamber
- Pumping of gases that contain impurities such as particles, dust, or condensate
- Pumping of media with a propensity to sublimation
- Pumping of fluids
- Use of the pump outside the specified area of application
- Use for pressure generation
- Use in strong electrical, magnetic, or electromagnetic fields
- Connection to pumps or equipment which are not suitable for this purpose according to their operating instructions
- Connection to devices with exposed live parts
- Use of operating fluids other than those specified by Pfeiffer Vacuum
- Use of accessories or spare parts not listed in these instructions

3 Product description

3.1 Product identification

To ensure reliable identification of the product when communicating with Pfeiffer Vacuum, always keep all of the information on the rating plate to hand.

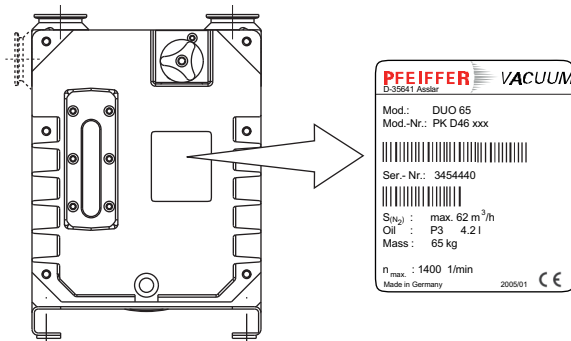


Fig. 1: Uno/Duo 35/65 rating plate

The following information is shown on the rating plate:

- Pump model
 - Model number
 - Operating fluid type and quantity
 - Date of manufacture
- You can obtain motor-specific data such as input voltage range from the separately attached motor rating plate.

3.2 Scope of delivery

- Pump with motor
- Operating fluid (other than F4, F5 and A113)
- Cone strainer with centering ring and O-ring for both connection flanges
- Locking caps for both connection flanges
- Operating instructions

3.3 Functional description

The UnoLine™ and DuoLine™ rotary vane pumps are single-stage, or two-stage, oil-sealed rotary positive displacement pumps with air cooling and pressure oil lubrication, for coarse and medium vacuum applications. The vacuum pumps are equipped with a safety valve that vacuum seals the vacuum chamber and simultaneously vents the pump when the pump is at a standstill. The pump is available in the standard version with a conventional seal, or as an M version with non-contact and wear-proof drive with magnetic coupling. The pump housing in the M version is hermetically sealed.



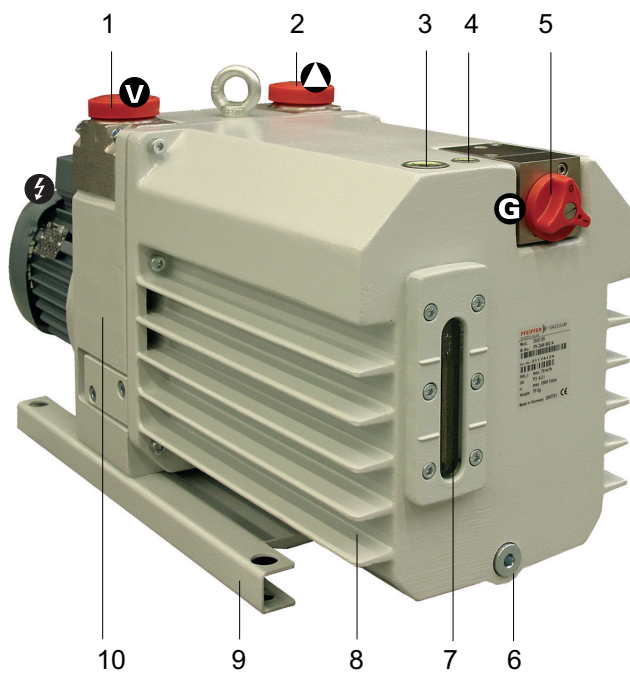


Fig. 2: Design of Uno 35/65 | Duo 35/65

- | | |
|---------------------------------------|-----------------------------------|
| 1 Vacuum flange | 6 Drain screw for operating fluid |
| 2 Exhaust flange | 7 Sight glass |
| 3 Filling screw for operating fluid | 8 Cap |
| 4 Locking screw for flushing gas pipe | 9 Base plate |
| 5 Gas ballast valve | 10 Support stand |

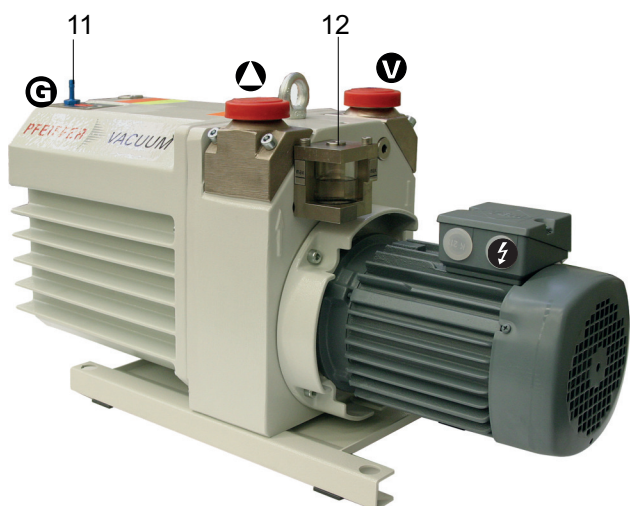


Fig. 3: Design of Duo 35/65 MC

- | | |
|---|----------|
| 11 Gas ballast valve with flushing gas connection | 12 Oiler |
|---|----------|

3.4 Operating principle

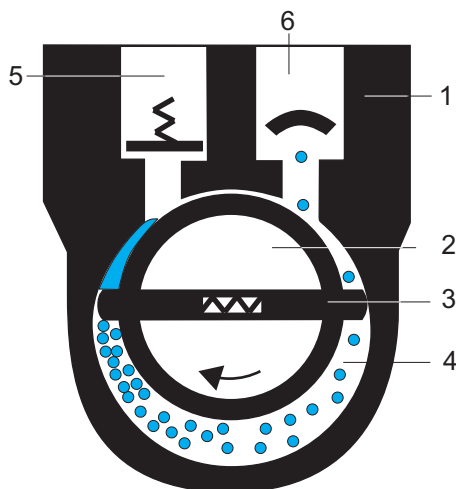


Fig. 4: UnoLine and DuoLine operating principle

- | | |
|-----------|-------------------------|
| 1 Housing | 4 Suction chamber |
| 2 Rotor | 5 Exhaust (outlet) |
| 3 Vane | 6 Vacuum flange (inlet) |

The rotary vane pump is an oil-sealed rotary displacement pump. The pumping system is made up of the housing, the eccentrically mounted rotor, and the centrifugally- and spring-loaded radially sliding vanes, which divide the suction chamber into multiple chambers. The volume of each chamber changes periodically as the rotor rotates. This causes the gas to be drawn in at the vacuum flange, and compressed in the suction chamber by the rotation of the rotor until the exhaust valve opens against the atmospheric pressure at the outlet and expels the gas. The exhaust valve is oil-sealed. When the valve opens, a small quantity of oil penetrates into the suction chamber. In addition to lubrication, this also causes the gaps between the rotor, stator, and vanes to seal.

Vacuum safety valve

Depending on the pump type, rotary vane pumps are equipped with a vacuum safety valve. The vacuum safety valve separates the pump from the vacuum chamber in the event of intentional or unintentional standstill, and vents the pumping system with the displaced gas so that oil does not rise into the vacuum chamber. When the pump is switched on, it opens after a delay.

Gas ballast valve

During boost operation, an outward-facing bore opens out into the closed suction chamber on the front side. This allows the pressure required to open the exhaust valve to be reached during the pump compression phase, at a relatively low pressure compression. This allows a required mixture of gas and vapor to be expelled before condensation forms in the vapor. The ultimate pressure reached during operation with gas ballast is higher than that achieved without gas ballast.

Operating fluid, oil

The pump oil, also known as operating fluid, fulfills various tasks in a rotary vane pump: It lubricates all moving parts, fills part of the dead volume below the exhaust valve, and seals the narrow gap between inlet and outlet. It compresses the gap between the vanes and the working chamber and ensures an optimal temperature balance through heat transfer.



4 Transportation and Storage

4.1 Transport

⚠ WARNING

Danger of serious injury from falling or swinging objects

Falling or swinging objects during transport pose a danger of injuries to limbs, up to and including bone fractures.

- ▶ Prevent people from remaining below the suspended load.
- ▶ Secure the danger zone if necessary.
- ▶ Avoid diagonal pulling of the crane rope.
- ▶ Wear protective equipment, e.g. safety shoes.



Pfeiffer Vacuum recommends keeping the transport packaging and original protective cover.

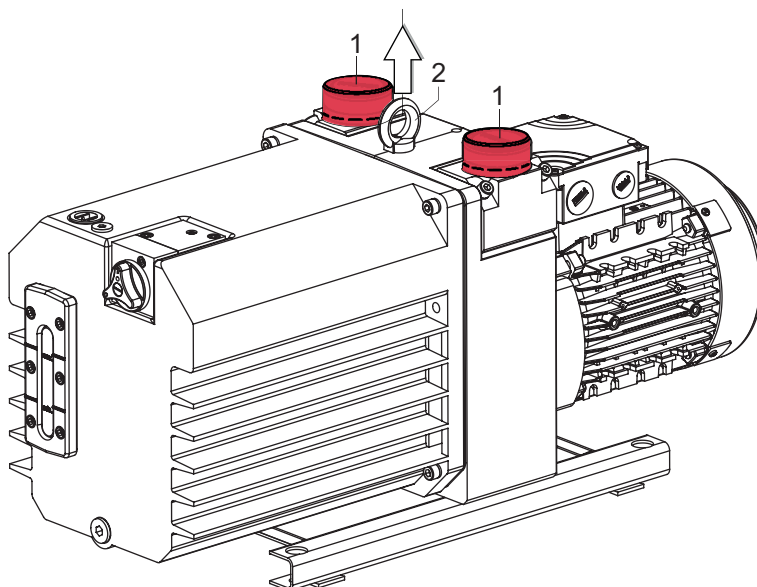


Fig. 5: Transporting the pump

- 1 Protective cap 2 Crane lug

In order to prevent dirt and foreign matter from entering the pump interior, it is important that the two protective caps are kept on the connection flanges during transport. This also ensures that the cone stainer and the centering ring are not lost.

1. Unpack the pump.
2. Lift the pump out of the transport packaging.
3. To lift the pump, use the crane lug provided for this purpose, located on the top of the pump.

4.2 Storage



Pfeiffer Vacuum recommends storing the products in their original transport packaging.

Storing the pump

1. Fill the pump with operating fluid up to the upper edge of the sight glass.
2. Close both connection flanges.
3. Make sure that the gas ballast valve is closed.



4. Store the pump only in dry, dust-free rooms, within the specified ambient conditions:
5. In rooms with humid or aggressive atmospheres: Hermetically shrink-wrap the pump together with a drying agent in a plastic bag.
6. Change the operating fluid if the storage period is longer than 2 years.



5 Installation

5.1 Installing the pump

Installation location	<ul style="list-style-type: none"> Indoors, protected from dust deposits Outdoors, protected from direct weather influences
Installation altitude	max. 2000 m
Orientation	as level as possible; max. permissible angle of inclination: $\pm 10^\circ$
Ambient temperature	+12°C to +40°C
Relative air humidity	max. 85%

Tbl. 5: Ambient conditions

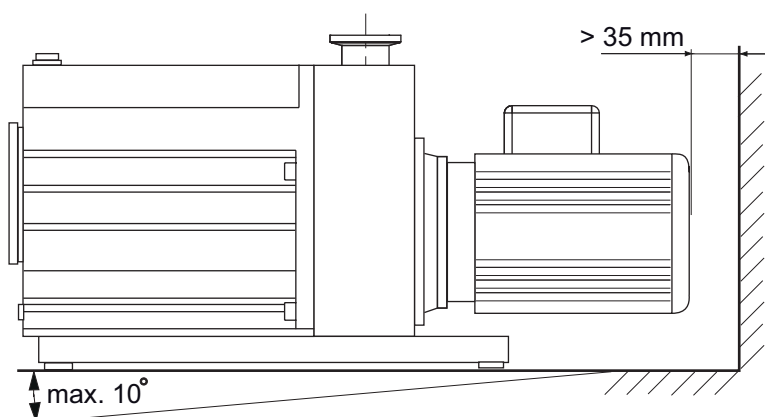


Fig. 6: Minimum clearances to side boundaries and permissible inclination

Notes on installing the pump

- Fill with operating fluid prior to first commissioning.
 - Quantity and type according to rating plate.
- Place the pump on a flat, horizontal surface, to safeguard the operating fluid supply.
- Screw the base plate of the pump to the mounting surface if necessary.
- When installing the pump in a closed housing, ensure adequate air circulation.
- Keep the sight glass and gas ballast valve visible and freely accessible.
- Keep the voltage and frequency specifications on the motor rating plate visible and freely accessible.



5.2 Connecting the vacuum side

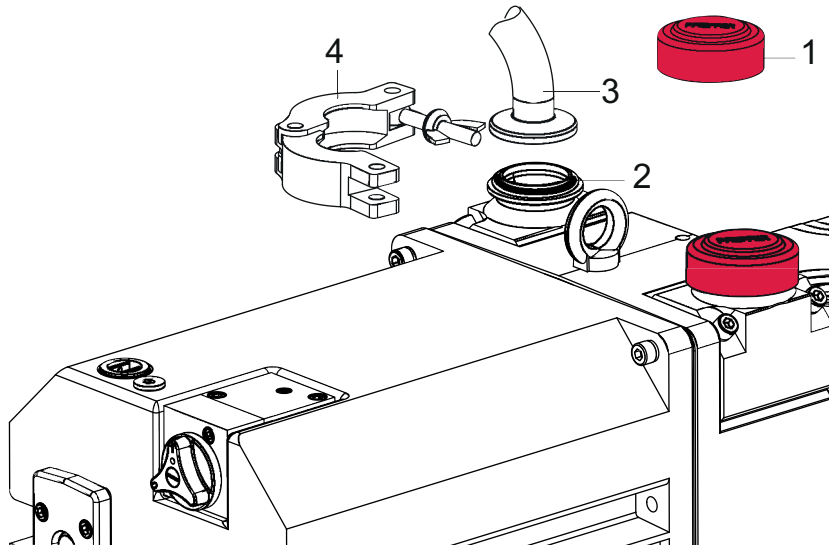


Fig. 7: Connecting the vacuum side

- | | |
|------------------|---------------|
| 1 Protective cap | 3 Intake line |
| 2 O-ring | 4 Circlip |

Establishing the vacuum connection

1. Make sure that the cone stainer and centering ring are in the intake duct.
2. Remove the protective cap from the vacuum flange.
3. Be careful with the cone sieve and O-ring in the intake port.
4. Establish the shortest possible connection between the pump and vacuum chamber; equivalent to the nominal flange diameter as a minimum.
5. Depending on the pump type, use metallic hoses or PVC hoses with flange connections.
6. Make sure that no piping system forces are acting on the pump.
7. Support or hang the pipes.
8. Connect both flanges with a suitable circlip.
9. Protect the pump from sucking in impurities through suitable measures.
10. Use a separator or filter if necessary ([see chapter "Accessories", page 62](#)).

5.3 Connecting the exhaust side

⚠ WARNING

Danger of poisoning due to emission of toxic process gases from the exhaust

During operation with no exhaust line, the vacuum pump allows exhaust gases and vapors to escape freely into the air. In processes involving toxic media, there is a risk of injury and danger to life due to poisoning.

- ▶ Observe the relevant regulations for handling toxic substances.
- ▶ Safely purge toxic process gases via an exhaust line.
- ▶ Use suitable filter equipment to separate toxic substances.



⚠ CAUTION**Danger of injury from bursting as a result of high pressure in the exhaust line**

Faulty or short exhaust lines cause hazardous situations, e.g. exhaust pressure increase. There is a danger of bursting. Injuries caused by flying fragments, the escaping of high pressure, and damage to the unit cannot be excluded.

- ▶ Open shut-off units immediately before or at the same time as starting the pump.
- ▶ Observe the maximum permissible pressure of 1,500 hPa (absolute).
- ▶ Observe the permissible pressures and pressure differentials for the product.
- ▶ Check the function of the exhaust line on a regular basis.

NOTICE**Malfunction and damage to the pump from improper exhaust line installation**

Negative pressure in the exhaust line causes malfunctions and damage to the pump. Negative pressure is permitted only in pumps with magnetic coupling.

- ▶ When dissipating gases, make sure that the exhaust pressure is at least 250 hPa higher than the intake pressure.

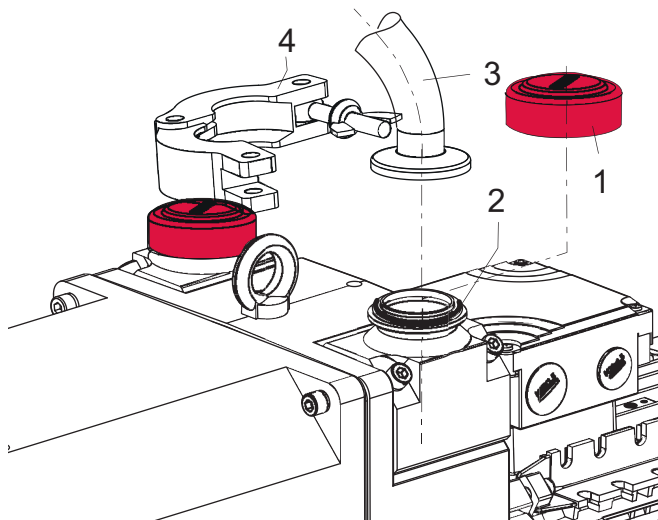


Fig. 8: Connecting the exhaust side

- | | |
|------------------------------|----------------|
| 1 Protective cap | 3 Exhaust line |
| 2 Centering ring with O-ring | 4 Circlip |

Connecting the exhaust side

1. Remove the protective cap from the exhaust flange.
2. Install the centering ring on the flange.
3. Route the piping downwards from the pump, to prevent condensate return.
4. Choose a minimum exhaust line cross section equal to the nominal diameter of the connection flange.
5. Depending on the pump type, use metallic hoses or PVC hoses with flange connections.
6. Support the piping to the pump by propping or hanging, so that no piping system forces act on the pump.
7. Connect both flanges with a suitable circlip.



1. Install a condensate separator in the exhaust line if necessary.
2. Use the lowest exhaust line point for the condensate drain.



5.4 Establishing mains connection

⚠ WARNING

Danger of injury from electric shock

Contact with live parts causes electric shock.

- ▶ Make sure that connection leads are voltage-free.
- ▶ Make sure that electrical installations are only carried out by qualified electricians.
- ▶ Provide adequate grounding for the device.

⚠ CAUTION

Danger of injury from moving parts!

After a power failure or a standstill as a result of overheating, the motor restarts automatically.

- ▶ Safely disconnect motor from the mains.
- ▶ Secure motor against reactivation.
- ▶ Dismantle the pump for inspection, away from the system if necessary.

NOTICE

Risk of damage from excess voltage!

Incorrect or excessive mains voltage will destroy the motor.

- ▶ Always observe the motor rating plate specifications.
- ▶ Route the mains connection in accordance with locally applicable provisions.
- ▶ Always provide a suitable mains fuse to protect the motor and supply cable in the event of a fault.
 - **Recommendation:** Line circuit breaker type “K” with slow tripping characteristic.

NOTICE

Danger of magnetic coupling overload!

Energy-efficient motors have a higher starting torque that may lead to cranking of the motor and to the demagnetization of the magnetic coupling.

- ▶ During operation with an IE2 motor, we **recommend** starting up with a soft start relay, or operating the pump with a frequency converter.
- ▶ When operating with an IE3 motor, you **must** use a soft start relay or operate the pump with a frequency converter.

Depending on the pump type, different motor designs or mains voltages can be used:

- Three phase motor without switch and mains cable with 3TF

5.4.1 Three phase motor with 6-pin terminal board

NOTICE

Risk of damage from high starting torque!

The specific load behavior of the pump requires a direct start-up.

- ▶ Always start the motor directly; do not use a star-delta starting circuit.

Ports U1 – L2, V1 – L1 and W1 – L3 rotate the motor shaft clockwise when looking at the motor fan.



Delta connection

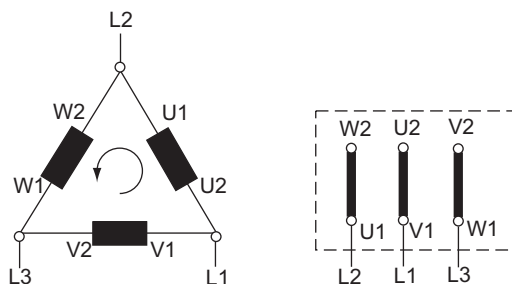


Fig. 9: Delta connection for low voltage

The 3 phases are connected in series and the connection points connected to the mains. The voltage per phase is equal to the mains voltage, while the mains current is $\sqrt{3}$ times the phase current. The delta connection is marked with the Δ symbol. The voltage between the incoming mains supply lines is called mains voltage. The mains current is the current flowing in the incoming supply lines.

Star circuit

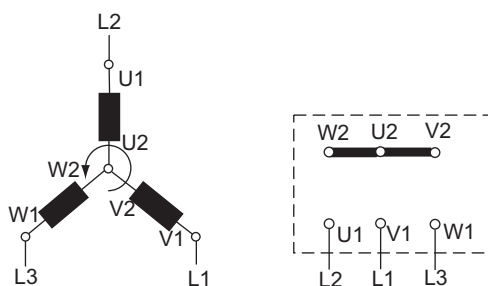


Fig. 10: Star circuit for high voltage

The ends of the 3 phases are connected in the star point. The terminal voltage is $\sqrt{3}$ times the phase voltage, the mains current is equal to the phase current. The star circuit is marked with the Y symbol.

5.4.2 Three phase motor with 9-pin terminal board

NOTICE

Risk of damage from high starting torque!
 The specific load behavior of the pump requires a direct start-up.
 ► Always start the motor directly; do not use a star-delta starting circuit.

Ports T1 – L2, T2 – L1 and T3 – L3 rotate the motor shaft clockwise when looking at the motor fan.

Double star circuit

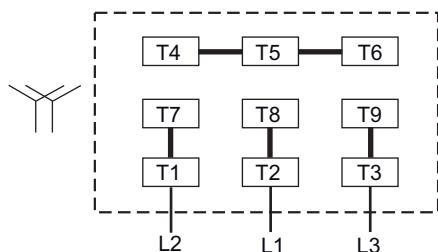


Fig. 11: Terminal board for low voltage

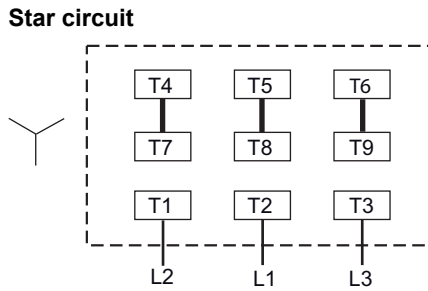


Fig. 12: Terminal board for high voltage

5.4.3 Checking the direction of rotation



Operating fluid can escape!

The direction of rotation must be checked on pumps with three phase motors. If the direction of rotation of the pump is incorrect, a risk exists of operating fluid escaping at the vacuum flange.

- Check the direction of rotation before refilling operating fluid.

Checking the direction of rotation

1. Remove the protective cap from the exhaust flange.
2. Switch the pump on briefly (2 to 3 seconds).
 - The motor and motor fan must rotate in a clockwise direction (see arrow on the support stand).
3. If the direction of rotation is incorrect, swap the two phases on the connection cable.
4. Refill the operating fluid.

5.4.4 Motor protection



The magnetic coupling is not intended for use as overload protection!

The torque is too great for it to act as overload protection for the motor.

PTC thermistor temperature sensor (3TF)

Pump motors equipped with PTC thermistor temperature sensors (3TF) in the stator windings can be connected to a PTC resistor tripping device for protection against overload. You may also use other proven motor monitoring systems.

Tripping devices store the shutdown event and need to be manually switched back on again via the integrated RESET button or via the external RESET S3. Switching on mains detected as automatic RESET.



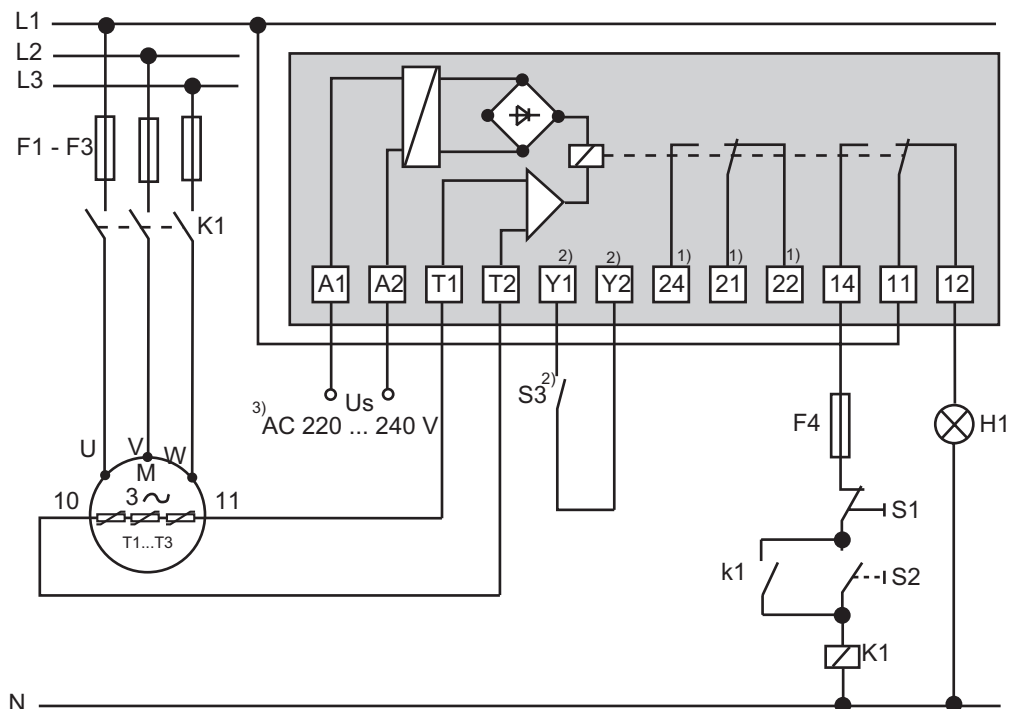


Fig. 13: Connection example with PTC thermistor tripping unit

- | | | | |
|----------------|-----------------|---------|---|
| U _s | Control voltage | T1 – T3 | PTC resistor sensor |
| S ₁ | OFF button | H1 | Tripping indicator |
| S ₂ | ON button | M | Motor, 3-phase |
| S ₃ | RESET button | 1) | For devices with two relay outputs only |
| K1 | Contactor | 2) | For MSR type only |
| F1 – F4 | Fuses | 3) | Only for order no.: P 4768 051 FQ |

Connecting the PTC thermistor tripping unit

- ▶ Route the connection so that the direction of rotation indicated on the pump is maintained, regardless of the representation in the circuit diagram.

Motor protection switch

Protection switches with slow tripping characteristics are suitable. The drive motor can have a power input greater than the rated current I_N. In accordance with EN 60034-1, 1.5 times the rated current is permissible for a duration of 2 minutes. The setting should enable the overload capability of the motor, and be taken from the following tables.

Voltage [V]	Frequency [Hz]	Motor rating [kW]	I _N [A]	I _{max} [A]
230	50	1.1	4.3	31
400	50	1.1	2.5	18
265	60	1.3	4.2	31
460	60	1.3	2.45	18
220	60	1.3	4.82	31
380	60	1.3	2.78	18
200	50	1.5	7.3	49
400	50	1.5	3.65	28
200	60	1.5	7.3	63
400	60	1.5	3.65	35



Tbl. 6: Motor protection switch settings for Uno 35 | Duo 35

Voltage [V]	Frequency [Hz]	Motor rating [kW]	I_N [A]	I_{max} [A]
230	50	1.5	6.1	41
400	50	1.5	3.5	24
265	60	1.8	6.1	41
460	60	1.8	3.5	24
220	60	1.8	6.7	51
380	60	1.8	3.85	29
230	60	1.8	6.44	55
400	60	1.8	3.72	36
200	50	1.5	6.35	43
200	60	1.8	6.95	47
200	50	1.8	7.6	56
400	50	1.8	3.8	32
200	60	2.2	8.8	82
400	60	2.2	4.4	46

Tbl. 7: Motor protection switch settings for Uno 65 | Duo 65

5.4.5 Motor control

Frequency converter (applies to 3-phase motor)

Rotary vane pumps with variable rotation speed can be operated within a mains frequency range of 35 to 60 Hz. Start-up can be achieved via a ramp (run-up time: max. 30 sec), shutdown can take place immediately.

Soft start

Starting the pump with an upstream soft start relay limits power input during run-up, thus preventing mains-side load peaks. At the same time, the starting torque of the motor is limited, thus reducing the mechanical load on the motor and pump.

Recommended setting:

- Startup voltage: >70%
- Ramp time: max. 5 s

5.5 Refilling operating fluid

⚠ WARNING

Danger of poisoning from toxic vapors

Igniting and heating synthetic operating fluid generates toxic vapors. Danger of poisoning if inhaled.

- ▶ Observe the application instructions and precautions.
- ▶ Do not allow tobacco products to come into contact with the operating fluid.

NOTICE

Risk of damage from the use of non-approved operating fluid!

Product-specific performance data are not achieved. All liability and warranty claims against Pfeiffer Vacuum are also excluded.

- ▶ Use approved operating fluid only.
- ▶ Use other application-specific operating fluid only following consultation with Pfeiffer Vacuum.



The operating fluid type intended for the pump and the respective filling quantity are indicated on the rating plate. Only the operating fluid used during initial commissioning is permissible.

Approved operating fluid

- P3 (standard operating fluid)
- F5 (operating fluid for corrosive gas versions)
- D1 for special applications (such as higher operating temperatures)
- A113 (operating fluid for corrosive gas versions)

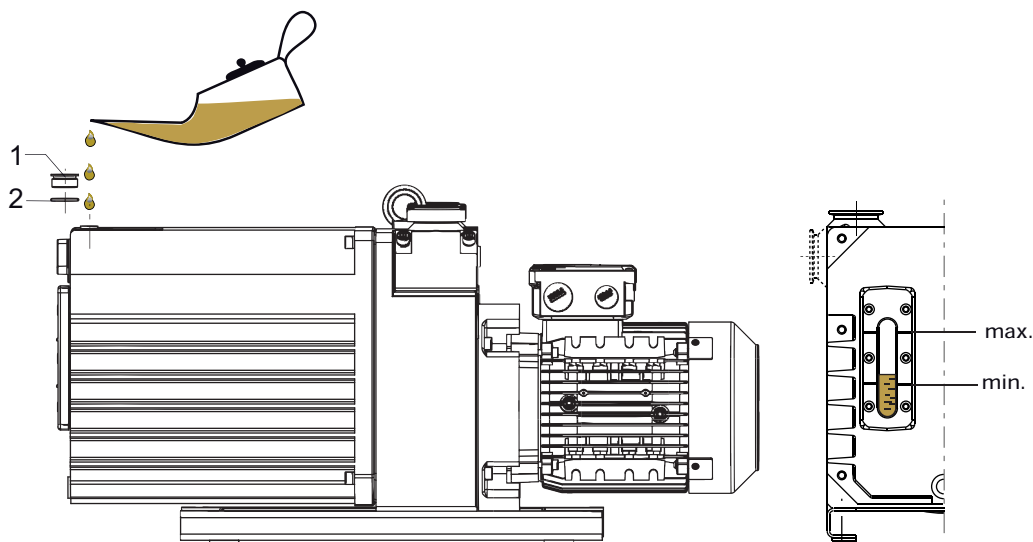


Fig. 14: Fill pump with operating fluid

- 1 Filler screw 2 O-ring

Refilling operating fluid

1. Unscrew the operating fluid filler screw.
2. Refill the operating fluid.
 - Quantity for initial filling and with cold pump: A maximum of 3/4 of the min./max. range.
3. Screw in the operating fluid filler screw.
 - Be careful with the O-ring.

5.6 Connecting accessories



Installation and operation of accessories

Pfeiffer Vacuum offers a series of special, compatible accessories for its products.

- You can find information on approved accessories online at pfeiffer-vacuum.com.
- The following accessories are not included in the scope of supply and must be ordered separately.



5.6.1 Solenoid valve for gas ballast valve (standard version)

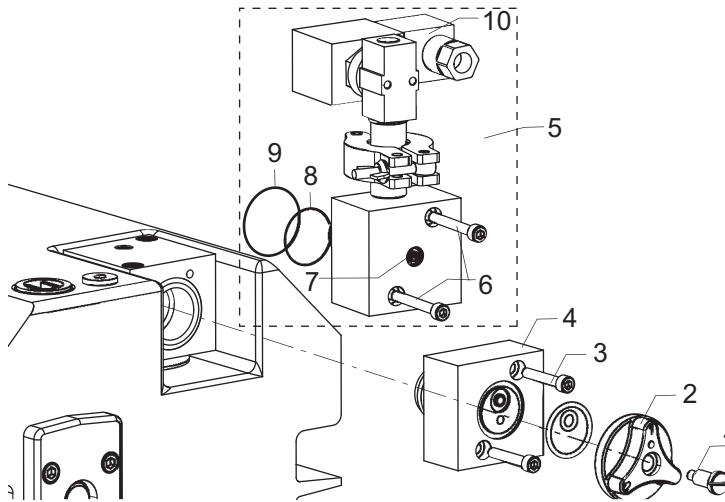


Fig. 15: Solenoid valve connection for gas ballast valve

- | | | | |
|---|------------------|----|----------------|
| 1 | Fixing screw | 6 | Screws |
| 2 | Gas ballast knob | 7 | Dosing screw |
| 3 | Screws | 8 | O-ring |
| 4 | Flange | 9 | O-ring |
| 5 | Conversion kit | 10 | Protective cap |

Required tools

- Screwdriver
- Allen key, 4 mm
- Torque wrench

Remove gas ballast valve from pump

1. Unscrew fixing screw from gas ballast knob.
2. Remove gas ballast knob.
3. Unscrew both screws from flange.
4. Pull the valve flange axially out of the housing.

Installing conversion kit with solenoid valve

1. Insert solenoid valve axially into the housing.
2. Be careful with the O-rings.
3. Tighten the screws,
 - torque: **3 Nm**.
4. Open dosing screw by rotating to the left up to the stop.
5. Remove protective cap.
6. Establish the electrical connection.
7. Install the protective cap.

Order number	PK 223 717 -U
Classification advanced	Gas ballast valve conversion kit with magnetic valve
Flange (in)	G 1/4
Over pressure max.	500 hPa
Electrical connection	Cable screw connection PG9
For pump	Duo 35/65
Power supply voltage	24 V DC
Contact	Normally closed



Tbl. 8: Technical data, solenoid valve for gas ballast valve

5.6.2 Solenoid valve for gas ballast valve (C version)

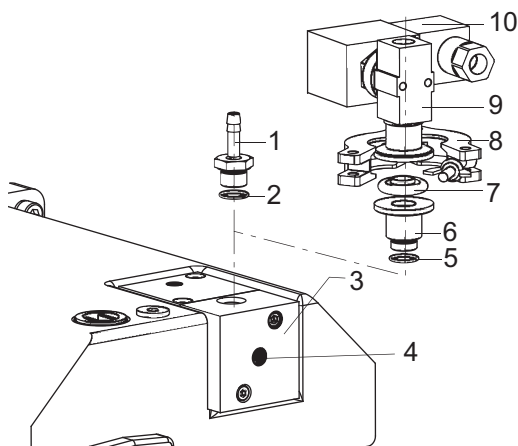


Fig. 16: Solenoid valve connection for gas ballast valve (C version)

1	Hose nozzle	6	Small flange
2	O-ring	7	Centering ring
3	Flange	8	Circlip
4	Dosing screw	9	Solenoid valve
5	O-ring	10	Protective cap

Required tools

- Open-end wrench, 17 mm

Installing conversion kit with solenoid valve

1. Unscrew the hose nozzle from the flange and remove the O-ring.
2. Screw the small flange with O-ring into the gas ballast valve flange.
3. Install the solenoid valve with centering ring and circlip.
4. Open dosing screw by rotating to the left up to the stop.
5. Remove protective cap.
6. Establish the electrical connection.
7. Install the protective cap.

5.6.3 Process monitoring (option)

To monitor the rotary vane pump oil pressure during operation, an operating fluid monitoring unit can be mounted to the side of the stand. The contact in the pressure switch opens when the pressure drops and when the pump is at a standstill. The signal can be used to control external valves.

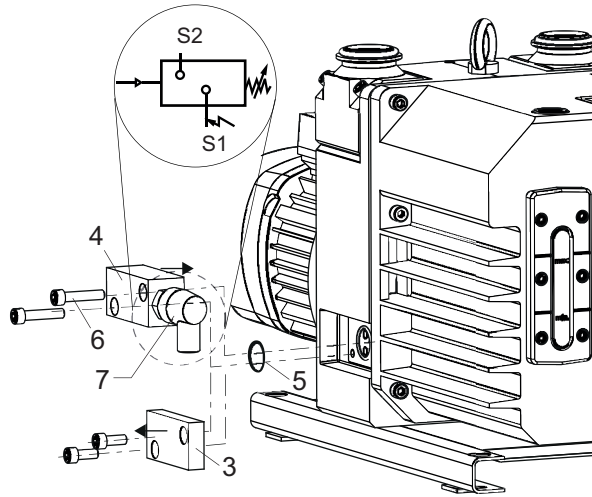


Fig. 17: Installation location and circuit diagram

- | | | | |
|-------|----------------|---|---------------------|
| S1+S2 | N.O. contact | 5 | O-ring |
| 3 | Oil duct cover | 6 | Screws |
| 4 | Flange | 7 | Oil pressure switch |

Installing operating fluid monitoring

1. Shut down the vacuum pump and allow it to cool if necessary.
2. Vent the pump to atmospheric pressure via the intake side.
3. Remove the oil duct cover and collect the escaping operating fluid.
4. Dispose of the operating fluid according to locally applicable regulations.
5. Install the flange with O-ring and tighten the two screws to
 - torque: **10 Nm**.
6. Screw the oil pressure switch with O-ring into the flange.
 - torque: **6 Nm**.
7. Remove protective cap.
8. Establish the electrical connection to the pressure switch.
9. Replace the protective cap.

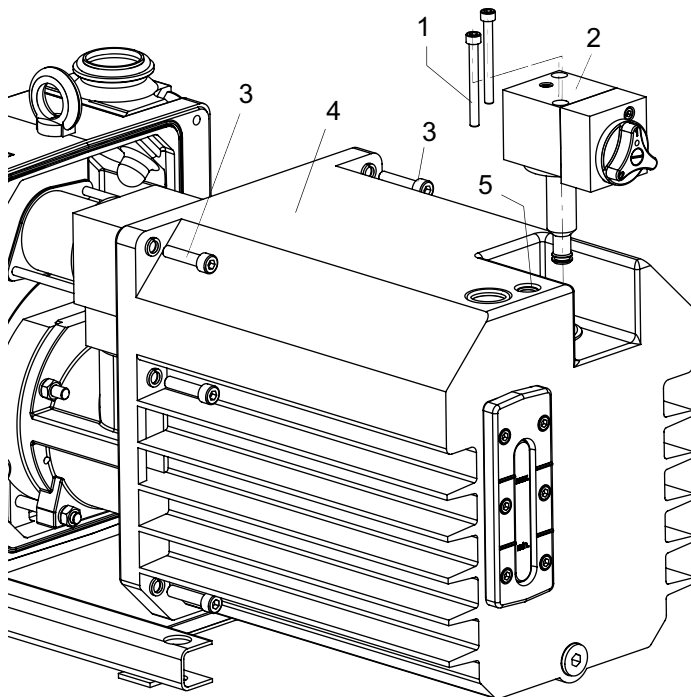
Order number	PK 223 720 -U
Classification	Oil pressure switch
Switching current V AC	2 A
Set point	1500 hPa
Switching voltage	250 V
For pump	Duo 35/65, Uno 35/65
Monitored Features	Operating fluid pressure
Protection category	IP55
Contact	Closing contact, normally open

Tbl. 9: Technical data, oil pressure switch

5.6.4 Gas flushing device

For situations where gases or vapors that are corrosive or can contaminate the operating fluid need to be pumped, we recommend that you flush the vacuum pump with inert gas in order to prolong the usable life of the operating fluid. The flushing gas device is installed via a bore in the pump cap, and the gas is introduced into the operating fluid reservoir of the pump via a pipe. This saturates the operating fluid with inert gas and prevents the pumped gases from dissolving in the oil. The injected gas also reduces the oil temperature, thus reducing the risk of corrosion.





- | | | | |
|---|-------------------|---|---------------|
| 1 | Screws | 4 | Cap |
| 2 | Gas ballast valve | 5 | Locking screw |
| 3 | Screws | | |

Required tools

- Allen key, 5 mm
- Allen key, 6 mm
- Open-end wrench, 14 WAF
- Open-end wrench, 19 WAF

Removing the cap

1. Drain the operating fluid ([see chapter “Draining the operating fluid”, page 39](#)).
2. Unscrew the screws and remove the gas ballast valve.
3. Disconnect the cap and remove axially; be careful with the spring washers.
4. Clean the inside of the cap.
5. Unscrew the locking screw.

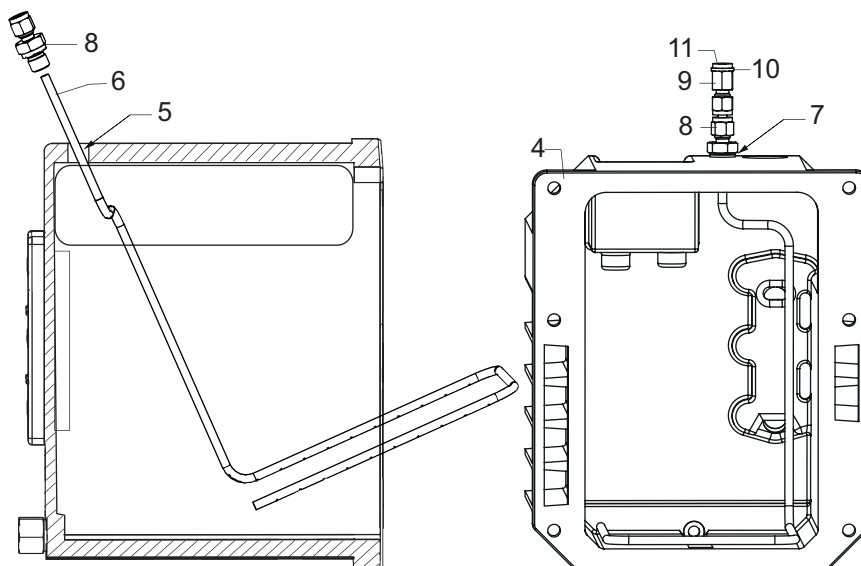


Fig. 18: Installing the flushing gas pipe



4	Cap	8	Coupling I
5	Bore	9	Coupling II
6	Flushing gas pipe	10	Sealing ring
7	O-ring	11	Locking screw

Installing the flushing gas pipe

1. Install the flushing gas pipe from the inside of the cap, and insert it through the bore.
2. Slide the coupling I with the O-ring over the pipe end, and screw the coupling into the cap.
3. Tighten the coupling I lock nut.
4. Align the pipe so that it is positioned close to the cap base, but not touching the wall.
5. Push the coupling II downwards onto the pipe and tighten it. At the same time, secure with a second key.
6. Seal the connecting thread with the locking screw and sealing ring.
7. Install the cap.
 - Make sure that the sealing surfaces and O-rings are clean and undamaged.

The flushing gas pipe cannot be **dismantled** without destroying it. If necessary, we recommend that you pull the pipe upwards slightly, and sever it above the coupling with a pipe cutter.



Carry out a leak test.

To make sure that the system is sealed, Pfeiffer Vacuum recommends that you carry out a leak test prior to installing the gas supply.

Carrying out the leak test

In C, M, and MC version pumps, a helium leak test must be carried out after the flushing gas device has been installed.

1. Carry out a leak test on the pump housing before filling the operating fluid.
 - Helium leakage rate: $< 1 \cdot 10^{-7}$ Pa m³/s

Installing the flushing gas supply

1. Unscrew the locking screw. Simultaneously secure coupling II.
 - Be careful with the sealing ring.
2. Connect the flushing gas supply line (female thread, 1/8" NPT).
 - Be careful with the seal.



6 Operation

6.1 Commissioning

Before switching on

1. Check the operating fluid in the sight glass.
2. Compare the voltage and frequency specifications on the motor rating plate with the available mains voltage and frequency.
3. Adequately protect the pump from sucking in impurities through appropriate measures (e.g. dust filter).
4. Check the operating fluid regularly or change it more frequently.
5. Check the exhaust connection for free passage (max. permissible pressure: 1,500 hPa absolute).
6. Actuate the shut-off units so that the shut-off units open before or at the same time as the pump starts up.

6.2 Switching on

The pump can be switched on in each pressure range, between atmospheric pressure and ultimate pressure. The optimal operating condition of the pump is achieved in continuous operation. Cycle mode is possible, however do not exceed 10 cycles per hour. The operating phase should always be longer than the downtime.

When pumping down dry gases, no special precautions are required. In order to achieve the lowest possible ultimate pressures, the gas ballast valve should be closed.

⚠ CAUTION

Danger of burns on hot surfaces

Depending on the operating and ambient conditions, the surface temperature of the pump can rise to above 70°C.

- ▶ Provide suitable touch protection.

NOTICE

Risk of damage to the drive from increased motor current consumption

At an intake pressure of approximately 300 hPa and under unfavorable operating conditions (such as for example exhaust side counterpressure), the power input exceeds the rated current.

- ▶ Limit the maximum power input of 1.5 times the rated current to max. 2 minutes (in accordance with EN 60034-1).

Switching on the pump

1. Switch the pump on at the mains switch.
2. Close the vacuum flange and gas ballast valve.
3. Allow the pump to warm up prior to process start, with the vacuum flange closed, for approximately 30 minutes.
4. Check the operating fluid level with the pump running and at operating temperature.
 - The fill level must move within the marks on the sight glass edge during operation.
 - Check the operating fluid fill level daily during continuous operation, and every time the pump is switched on.
 - The fluid can be refilled during operation in the final vacuum.

6.3 Operation with gas ballast

NOTICE

Risk of damage from condensation in pump

During operation without gas ballast, condensation may form as a result of the vapor compatibility of the pump being exceeded.

- ▶ Pump condensable vapors only when the pump is warm and the gas ballast valve open.
- ▶ Allow the pump to run on after process end for another 30 minutes with the gas ballast valve open.
 - This cleans the operating fluid and protects the pump from corrosion.

If process gases contain condensable vapors, the rotary vane pump must be operated with gas ballast (i.e. with the gas ballast valve open).

6.3.1 Gas ballast valve – standard version

To avoid condensation of condensable vapors in the pump when pumping them down, air is fed into the working chamber periodically via the gas ballast valve at the start of the compression phase.

The gas ballast valve is closed when turned to the right to position "0" and open when turned to the left to position "1". Intermediate settings are not possible.

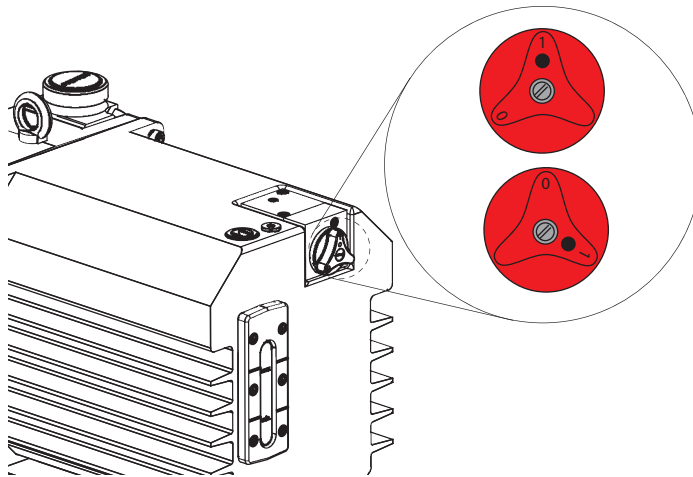


Fig. 19: Gas ballast valve, standard version

6.3.2 Gas ballast valve with flushing gas connection (option)

NOTICE

Risk of damage from unacceptably high flushing gas pressure

Increased flushing gas pressure compromises the operational reliability of the pump, and causes increases in power input and operating temperature.

- ▶ Observe the maximum permissible flushing gas pressure of **1,500 hPa (absolute)**.
- ▶ Dose the flushing gas quantity with the dosing screw in the gas ballast valve or on site.

The ingress of flushing gas dilutes the process gas and avoids condensation in the pump.



Closing the gas ballast valve

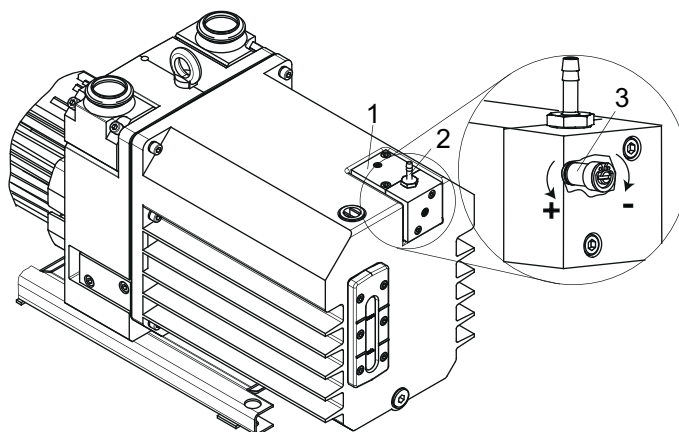


Fig. 20: Gas ballast valve with flushing gas connection

- | | |
|---|----------------|
| 1 Gas ballast valve | 3 Dosing screw |
| 2 Flushing gas connection (hose nozzle) | |

1. Connect the hose (DN 5 mm) to the flushing gas connection.
2. Select the type and quantity of the flushing gas used according to the process.
3. Consult Pfeiffer Vacuum if necessary.
4. Set the flushing gas pressure to max. **1,500 hPa (absolute)**.
5. Set the desired gas quantity using the dosing screw: **Max. 1,700/1,875 l/h** (Duo 35/65).
6. Close the dosing screw by rotating to the right up to the stop.
7. Open the dosing screw by rotating to the left up to the stop.

6.3.3 Gas ballast valve with solenoid valve (option)

NOTICE**Risk of damage from unacceptably high flushing gas pressure**

Increased flushing gas pressure compromises the operational reliability of the pump, and causes increases in power input and operating temperature.

- ▶ Observe the maximum permissible flushing gas pressure of **1,500 hPa (absolute)**.
- ▶ Dose the flushing gas quantity with the dosing screw in the gas ballast valve or on site.

Using an electromagnetic valve to externally control the flushing gas flow facilitates handling of the gas ballast, and allows the process-driven intake of clean air or other gases.

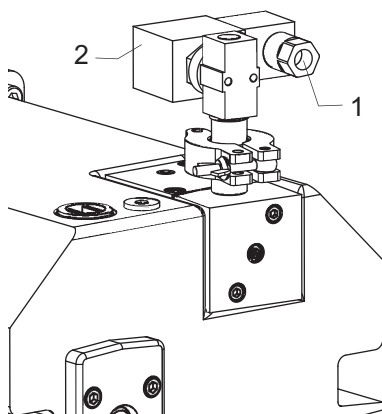


Fig. 21: Gas ballast inlet with solenoid valve

- | | |
|---------------------------|------------------|
| 1 Flushing gas connection | 2 Solenoid valve |
|---------------------------|------------------|

6.4 Operation with flushing gas

NOTICE

Risk of damage from unacceptably high flushing gas pressure!

As the flushing gas quantity increases, the discharge of operating fluid via the pump exhaust increases.

- ▶ Observe the max. permissible flushing gas pressure.
- ▶ Dose the flushing gas quantity on site.



Continuous operation

After switching off, condensate or penetrating moisture can react with process residues and damage the pump.

- Operate the pump in continuous operation where possible.

Before shutting down the pump, observe the following instructions to adequately protect the interior of the pump (pumping system) against corrosion.

Supply pump with flushing gas

1. Switch on the pump and bring it to operating temperature.
2. Open the flushing gas supply and check the flow.
3. Adjust the flushing gas pressure.
 - Recommended pressure: **max. 200 hPa (relative)**. This is equivalent to a gas flow of approximately **2,000 NI/h**.
4. Open the shut-off valve on the vacuum flange.

Interrupting/stopping the flushing gas supply

To degas the operating fluid effectively, Pfeiffer Vacuum recommends that you shut off the pump on the intake side following process end, and continue operation for around an hour at ultimate pressure with the flushing device switched on. The duration depends on the quantity of gas required.

1. Stop the flushing gas supply and shut off the supply line.
2. Switch off the vacuum pump.
3. Vent the pump to atmospheric pressure.

6.5 Refilling operating fluid

⚠ WARNING

Danger of poisoning from toxic vapors

Igniting and heating synthetic operating fluid generates toxic vapors. Danger of poisoning if inhaled.

- ▶ Observe the application instructions and precautions.
- ▶ Do not allow tobacco products to come into contact with the operating fluid.

If the operating fluid has reached the minimum fill level, it must be refilled. The fluid can be refilled during operation in the final vacuum.



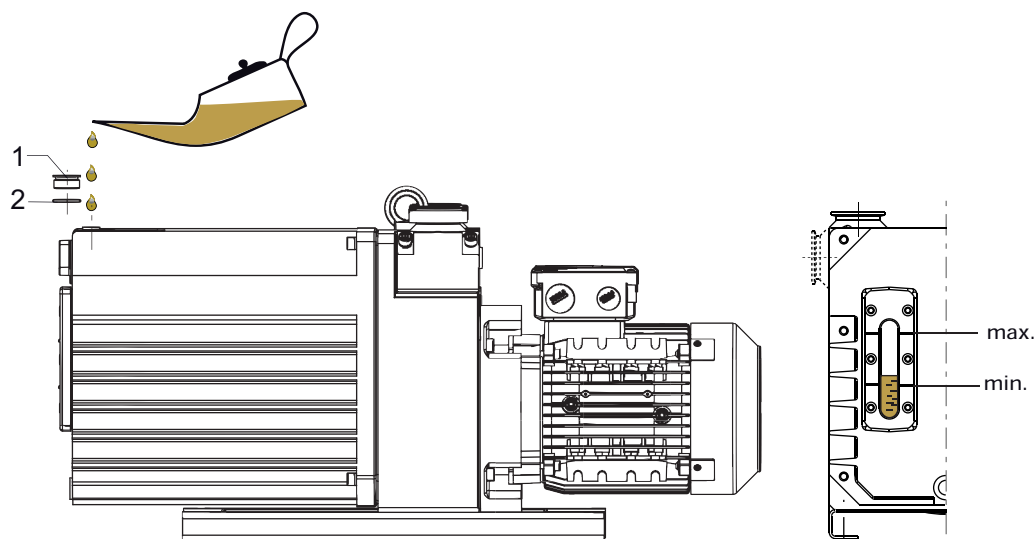


Fig. 22: Fill pump with operating fluid

- 1 Filler screw 2 O-ring

Refilling operating fluid

1. Unscrew the operating fluid filler screw.
2. Refill operating fluid up to the “max.” marking, with the pump at operating temperature.
3. Screw in the operating fluid filler screw.
 - Be careful with the O-ring.

6.6 Switching off the pump

You can switch off the pump in each pressure range.

Pfeiffer Vacuum rotary vane pumps have an integrated safety valve on the intake side. The safety valve automatically closes from a differential pressure of ≥ 250 hPa between the exhaust and intake sides, when the pump is switched on, and vents the pump.

6.6.1 Venting the vacuum chamber

NOTICE

Contamination from operating fluid backflow

After the pump is switched off, the connected vacuum system can become contaminated.

- ▶ Vent the vacuum chamber, regardless of the chamber size, for 30 seconds.
- ▶ Shut off the intake line, after the pump is switched off during longer venting operations, with an additional shut-off valve.

6.6.2 Maintaining the vacuum in the chamber

NOTICE

Contamination from operating fluid backflow

After the pump is switched off, the connected vacuum system can become contaminated.

- ▶ Because the safety valve of the pump is not suitable for longer-term sealing, install an additional shut-off valve in the intake line.
- ▶ Shut off the intake line immediately after switching off the pump.



7 Maintenance

7.1 Maintenance instructions

WARNING

Health risk and environmental damage due to poisoning on toxic contaminated parts or devices

Toxic process media result in contamination of the devices or parts thereof. During maintenance work there is a health risk due to contact with these poisonous substances. The non-permitted disposal of toxic substances results in environmental damage.

- ▶ Take appropriate safety precautions and avoid health risks or environmental hazards due to toxic process media.
- ▶ Decontaminate the affected parts before carrying out maintenance work.
- ▶ Wear protective equipment.

CAUTION

Danger of injury from moving parts!

After a power failure or a standstill as a result of overheating, the motor restarts automatically.

- ▶ Safely disconnect motor from the mains.
- ▶ Secure motor against reactivation.
- ▶ Dismantle the pump for inspection, away from the system if necessary.



Danger of property damage from improper maintenance

Pfeiffer Vacuum is not liable for pump damage caused by work being carried out incorrectly.

- We recommend looking into our service training offering.
- When ordering a replacement part, provide the data from the pump rating plate where possible.

In the following, we describe the work involved in pump cleaning and maintenance. More advanced works are described in the service instructions.

Maintenance instructions

- ▶ Shut down the vacuum pump and allow it to cool if necessary.
- ▶ Vent the pump to atmospheric pressure via the intake side.
- ▶ Disconnect the drive motor from the mains and secure it against reactivation.
- ▶ If you are carrying out maintenance work, disassemble the pump only to the extent necessary.
- ▶ Dispose of used operating fluid according to applicable regulations in each case.
- ▶ When using synthetic operating fluid, please observe the associated application instructions.
- ▶ Only use alcohol or similar media to clean the pump parts.

7.2 Maintenance instructions for M or MC version magnetic coupling

WARNING

Danger of injury from strong magnetic field

There is a risk of injury for people with pacemakers and medical implants.

- ▶ Make sure that such individuals do not enter the sphere of influence (≤ 2 m) of the magnetic field.
 - Identify rooms in which magnetic couplings are openly accessible with the symbol: "**No access for people with pacemakers**"
- ▶ Always keep disassembled couplings away from computers, data carriers, and other electronic components.

This safety note applies to **drive system disassembly** in pump versions with magnetic coupling.



7.3 Checklist for inspection and maintenance!

Pfeiffer Vacuum recommends that all maintenance work is carried out by the manufacturer's service department. If the required intervals listed below are exceeded, or if maintenance work is carried out improperly, no warranty or liability claims are accepted on the part of Pfeiffer Vacuum. This also applies if original spare parts are not used.

Action described in document	Inspection OI	Maintenance level 1 OI	Maintenance level 2 MI	Maintenance level 3 MI	Required material
Interval	daily	≤ yearly	≤ 2 years	≤ 4 years	
Inspection					
Visual and acoustic pump check Check operating fluid: <ul style="list-style-type: none"> • Check fill level • Check color (contamination) • Check pump for leaks 	■				
Check accessories (in accordance with respective operating instructions)	■				
Maintenance level 1 – operating fluid replacement					
Clean the outside of the pump: <ul style="list-style-type: none"> • Pump housing • Clean motor fan cap Changing the operating fluid		■			Operating fluid ¹⁾ Maintenance kit 1
Additional activities: <ul style="list-style-type: none"> • Remove cap • Clean inside of cap and outside of pumping system (without cleaning agent) • Remove and clean gas ballast valve, replace wearing parts • Clean silencer 		■ as required			
Replace filter in external accessory (where present), in accordance with the respective operating instructions		■ as required			
Maintenance level 2 – shaft seal ring replacement					
<ul style="list-style-type: none"> • Partially dismantle pump • Replace RSSR and coupling spider Not applicable for pumps with magnetic coupling			■		Maintenance kit 2
Replace filter in external accessory (where present), in accordance with the respective operating instructions			■ as required		

OI:operating instructions, **MI:**maintenance instructions

Depending on the operating conditions, the required maintenance intervals can be shorter than the reference values specified in the table. Please consult Pfeiffer Vacuum if necessary.

You can find the corresponding spare parts in the chapter "Spare parts packages" ([see chapter "Spare parts packs", page 50](#)).

1) Operating fluid is required for all maintenance activities, and must be ordered separately in each case.

Action described in document	Inspection OI	Maintenance level 1 OI	Maintenance level 2 MI	Maintenance level 3 MI	Required material
Interval	daily	≤ yearly	≤ 2 years	≤ 4 years	
Maintenance level 3 – overhaul					
Dismantle and clean pump, replace seals and all wearing parts: <ul style="list-style-type: none"> • Vane • Valves, springs, and sight glass 				■	Overhaul kit

OI:operating instructions, MI:maintenance instructions

Depending on the operating conditions, the required maintenance intervals can be shorter than the reference values specified in the table. Please consult Pfeiffer Vacuum if necessary.

You can find the corresponding spare parts in the chapter "Spare parts packages" ([see chapter "Spare parts packs", page 50](#)).

Tbl. 10: Maintenance intervals

7.4 Changing the operating fluid

WARNING

Danger of poisoning from toxic vapors

Igniting and heating synthetic operating fluid generates toxic vapors. Danger of poisoning if inhaled.

- ▶ Observe the application instructions and precautions.
- ▶ Do not allow tobacco products to come into contact with the operating fluid.



Determine the exact usable life of the operating fluid in the first year of operation – recommendation by Pfeiffer Vacuum.

The usable life may deviate from the reference value specified depending on thermal and chemical loads, and the accumulation of suspended particles and condensate in the operating fluid.

The usable life of operating fluid is dependent on the area of application of the pump.

Instructions for when operating fluid should be changed

- Pump does not reach the specified ultimate pressure.
- Operating fluid is perceptibly polluted, milky, or cloudy when viewed through the sight glass.
- It is possible to detect thermal aging of the operating fluid from its color identification number (applies to mineral oils only).



Safety data sheets

You can obtain the safety data sheets for operating fluid from Pfeiffer Vacuum on request, or from the [Pfeiffer Vacuum Download Center](#).

7.4.1 Degree of aging of P3 operating fluid

You can determine the degree of aging of P3 operating fluid in clean processes using the color chart (in accordance with DIN 51578) (supplementary sheet PK 0219 BN on request or from the [Pfeiffer Vacuum Download Center](#)).

Determining the degree of aging

1. Shut down the vacuum pump and allow it to cool if necessary.
2. Vent the pump to atmospheric pressure via the intake side.
3. Unscrew the operating fluid filler screw.
4. Extract an operating fluid sample from the pump via the operating fluid filling port.
5. Pour the sample into a test tube or similar vessel, and check it in bright light.



6. If it is a reddish-brown color at the latest (corresponding with color identification number 5), change the operating fluid.

7.4.2 Draining the operating fluid

⚠ WARNING

Health hazard and risk of environmental damage from toxic contaminated operating fluid.

Toxic process media can cause operating fluid contamination. When changing the operating fluid, there is a health hazard due to contact with poisonous substances. Illegal disposal of toxic substances causes environmental damage.

- ▶ Wear suitable personal protective equipment when handling these media.
- ▶ Dispose of the operating fluid according to locally applicable regulations.

⚠ CAUTION

Scalding from hot operating fluid

Danger of burns when draining operating fluid if it comes into contact with the skin.

- ▶ Wear protective equipment.
- ▶ Use a suitable collection receptacle.

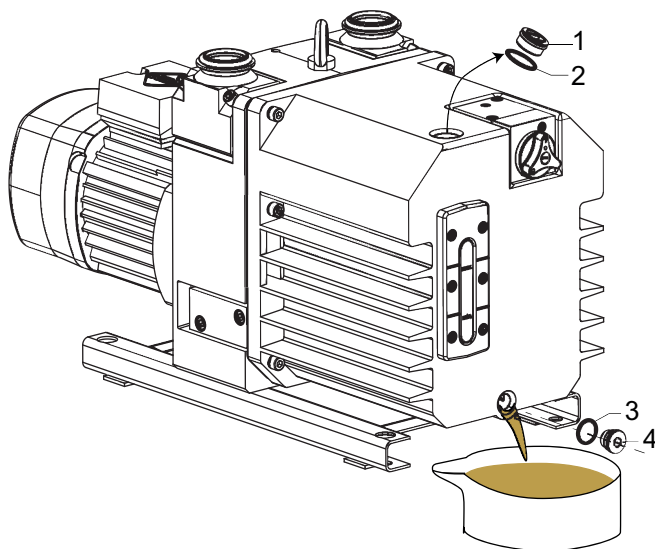


Fig. 23: Draining the operating fluid

- | | |
|----------------|---------------|
| 1 Filler screw | 3 O-ring |
| 2 O-ring | 4 Drain screw |

Required tool

- Allen key, 8 mm
- Screwdriver

Draining the operating fluid

1. Shut down the vacuum pump and allow it to cool if necessary.
2. Vent the pump to atmospheric pressure via the intake side.
3. Unscrew the operating fluid filler screw.
4. Be careful with the O-ring.
5. Place a collection receptacle below the drain screw.
6. Unscrew the operating fluid drain screw and drain the operating fluid (while still warm if possible).
7. Screw the filler and drain screws back in.
8. Be careful with the O-rings.
9. Switch on the pump with the vacuum flange open for max. 5 seconds.
10. Tilt the pump slightly to completely empty it and drain the remaining operating fluid.
11. In the event of heavy contamination, change the operating fluid several times (flushing).



12. Fill with new operating fluid and check the fill level .

7.4.3 Rinsing and cleaning

If the inside of the pump is heavily contaminated with process residues, Pfeiffer Vacuum recommends multiple operating fluid changes to drain the dirt.

Changing the operating fluid for dirt drainage

1. Operate the pump with the gas ballast open, until it is warm.
2. Drain the operating fluid again.
3. Check the contamination level and repeat the flushing operation if necessary.
4. Remove the cap.
5. Clean the inside of the cap and the outside of the pumping system (without cleaning agent).
6. If accessories are installed, replace the corresponding filter elements.
7. Screw in the operating fluid drain screw.
 - Be careful with the O-ring.
8. Fill with operating fluid and check the fill level .
9. Screw in the operating fluid filler screw.
 - Be careful with the O-ring.

7.5 Cleaning the gas ballast valve

The gas ballast valve is likely to be contaminated if dusty ambient air is sucked in.

7.5.1 Gas ballast valve – standard version

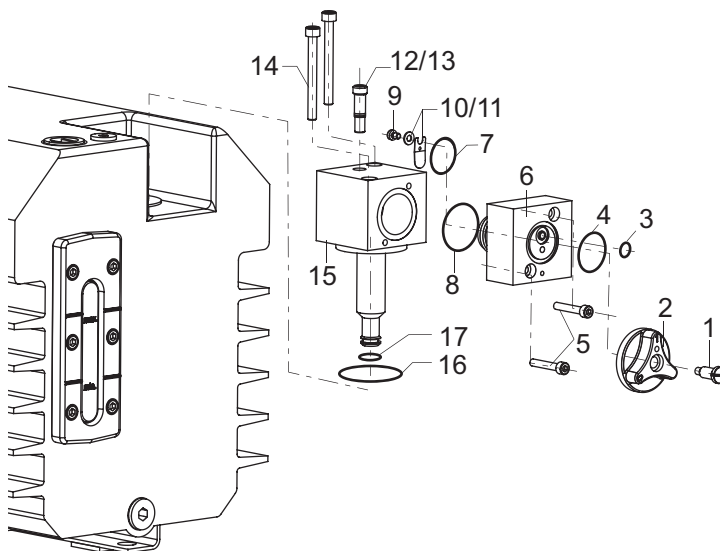


Fig. 24: Remove and clean gas ballast valve (standard version)

- | | |
|--------------------|-------------------|
| 1 Screw | 10 Washer |
| 2 Gas ballast knob | 11 Plate spring |
| 3 O-ring | 12 Silencer screw |
| 4 O-ring | 13 O-ring |
| 5 Screw | 14 Screw |
| 6 Flange | 15 Valve housing |
| 7 O-ring | 16 O-ring |
| 8 O-ring | 17 O-ring |
| 9 Screw | |



Remove gas ballast valve

Required tool

- Screwdriver
 - Allen key, 4 mm
 - Allen key, 5 mm
 - Torque wrench
1. Unscrew the screw from the gas ballast knob.
 2. Remove gas ballast knob.
 - Be careful with the O-rings.
 3. Unscrew both screws from flange.
 4. Remove the flange.
 - Be careful with the O-rings.
 5. Unscrew the rear screw from the flange and remove washer and plate spring.
 6. Unscrew silencer screw from valve housing.
 7. Unscrew screws from valve housing.
 - Be careful with the O-rings.
 8. Clean all parts and replace wearing parts in accordance with maintenance kit.

Install gas ballast valve

1. Install the gas ballast valve in reverse order.
2. Note screw torques:
 - Screw (14) – torque: **6 Nm**.
 - Screw (9) – torque: **3 Nm**.
 - Screw (5) – torque: **3 Nm**.

7.5.2 Gas ballast valve – corrosive gas version

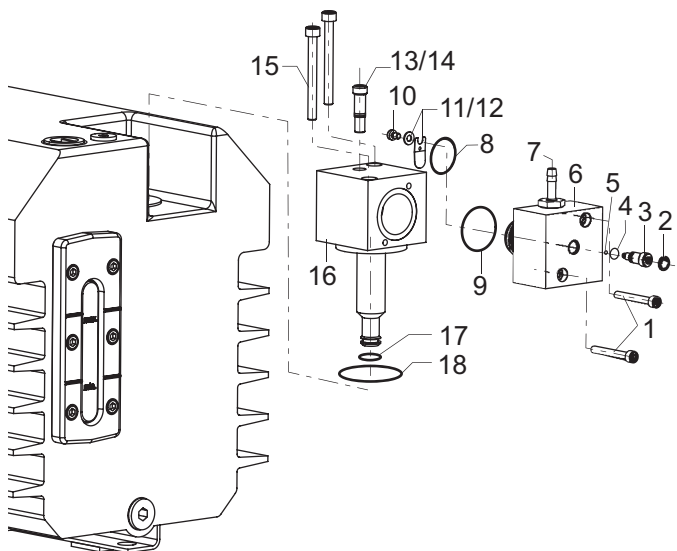


Fig. 25: Remove and clean gas ballast valve (C version)

- | | |
|----------------|-------------------|
| 1 Screws | 10 Screw |
| 2 Circlip | 11 Washer |
| 3 Dosing screw | 12 Plate spring |
| 4 O-ring | 13 Silencer screw |
| 5 O-ring | 14 O-ring |
| 6 Flange | 15 Screw |
| 7 Hose nozzle | 16 Valve housing |

- | | |
|----------|-----------|
| 8 O-ring | 17 O-ring |
| 9 O-ring | 18 O-ring |

Remove gas ballast valve

Required tool

- Open-end wrench, 17 WAF
 - Screwdriver
 - Allen key, 4 mm
 - Allen key, 5 mm
 - Torque wrench
1. Unscrew the hose nozzle from the flange.
 - Be careful with the O-ring.
 2. Remove the circlip.
 3. Rotate the dosing screw out of the flange.
 - Be careful with the O-rings.
 4. Unscrew both screws from flange.
 5. Remove the flange.
 - Be careful with the O-rings.
 6. Unscrew the rear screw from the flange and remove the washer and plate spring.
 7. Unscrew the silencer screw from the valve housing.
 - Be careful with the O-ring.
 8. Unscrew the screws from the valve housing.
 - Be careful with the O-rings.
 9. Clean all parts and replace wearing parts in accordance with maintenance kit.

Install gas ballast valve

1. Install the gas ballast valve in reverse order.
2. Note the screw torques:
 - Screw (1) – torque: **3 Nm**.
 - Screw (10) – torque: **3 Nm**.
 - Screw (15) – torque: **6 Nm**.

7.5.3 Adjusting the gas ballast valve silencer

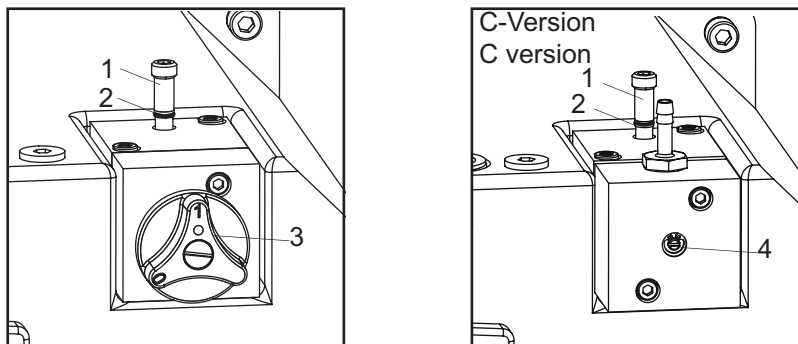


Fig. 26: Adjusting the silencer

- | | |
|------------------|---------------------------------------|
| 1 Silencer screw | 3 Gas ballast knob (standard version) |
| 2 O-ring | 4 Dosing screw (C version) |

The silencer is a screw in the gas ballast housing used to reduce air intake. This silences the knocking sound of the oil. If the silencer becomes dirty, it must be cleaned and readjusted.

Silencer

- ▶ Dismantle and clean the gas ballast valve parts ([see chapter “Gas ballast valve – standard version”, page 40](#)).

Adjusting the silencer

1. Screw the silencer screw in fully.



2. **C version:** Turn the dosing screw to the right up to the stop.
3. Turn the gas ballast knob to the right into position "0".
 - If the pump is running and warm, a knocking noise will soon be audible (oil hammer).
4. Open the silencer screw very slowly, until the knocking noise is minimal.

7.6 Changing operating fluid type



Changing the operating fluid type

The operating fluid type can be changed between mineral operating fluid – P3 – and synthetic operating fluid – D1 – only. It is not possible to change from either of these types to F4/F5 or vice versa.

- For 2 required flushing operations and the final filling, 3 times the filling quantity of fresh operating fluid is required per pump.

When filling, refilling, or changing operating fluid, always use the operating fluid type specified on the pump rating plate. Should process conditions change, you can convert to a different operating fluid.

Changing the operating fluid type

1. Carry out **two** flushing operations with the new operating fluid as described above.
2. Clean any accessories if necessary, such as ONF | OME or ORF | ODK, and replace the filter elements.
 - Note any requirement for additional operating fluid.
3. Finally, fill the pump with a third operating fluid.
4. Note the currently used operating fluid type at a suitable location on the pump; e.g. on the rating plate.

7.7 Checking the oil level in the oiler (C version pumps only)

Pumps in the corrosive gas version come equipped with an additional oiler. In these versions, the chamber between the radial shaft seal rings on the rotor shaft are supplied with operating fluid by an oiler.

Checking the oiler fill level

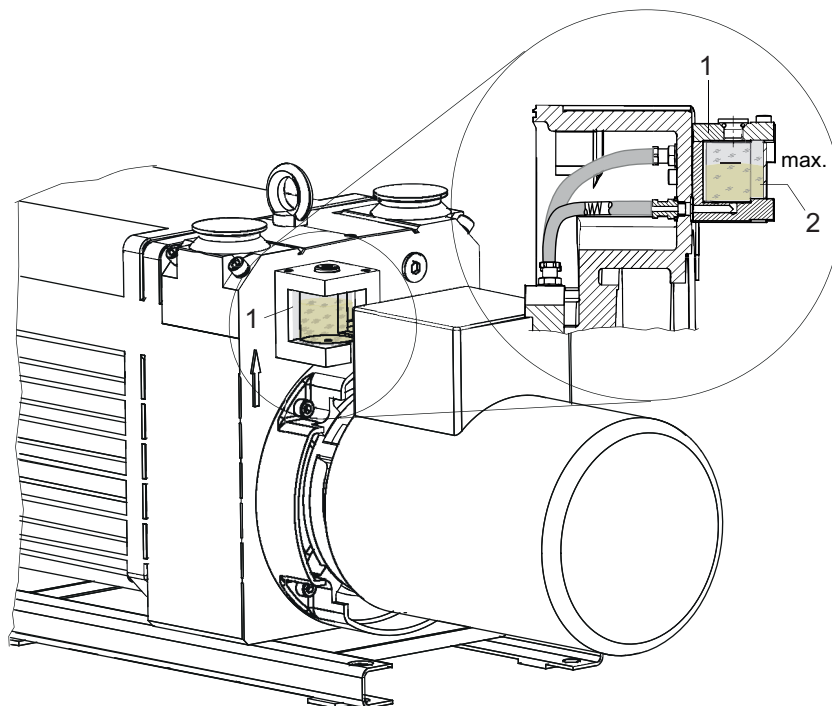


Fig. 27: Oiler in C version pumps

- 1 Oiler 2 Sight glass



1. Check the fill level daily, or after each time the pump is switched on.
2. Use the same operating fluid as in the pump.
3. Fill the oiler up to the “max” marking on the sight glass.



8 Decommissioning

8.1 Shutting down for longer periods

Before shutting down the pump, observe the following instructions to adequately protect the interior of the pump (pumping system) against corrosion:

1. Shut down the vacuum pump and allow it to cool.
2. Remove the pump from the vacuum system if necessary.
3. Change the operating fluid.
4. Start the pump and bring it to operating temperature, in order to wet the inside of the pump with fresh operating fluid.
5. Fill the pump to above the “**max.**” mark with operating fluid, up to the upper edge of the sight glass.
6. Close the vacuum and exhaust flanges with the original screw caps.
7. Store the pump only in dry, dust-free rooms, within the specified ambient conditions.
8. In rooms with humid or aggressive atmospheres: Hermetically shrink-wrap the pump together with a drying agent in a plastic bag.
9. For longer storage periods (> 2 years), Pfeiffer Vacuum recommends changing the operating fluid again prior to recommissioning.

8.2 Recommissioning

NOTICE

Risk of damage to pump as a result of operating fluid aging

The operating fluid usability is limited (max. 2 years). Prior to recommissioning, following a shutdown of **2 years or more**, carry out the following work.

- ▶ Change the operating fluid.
- ▶ Change the radial shaft seal rings and other elastomer parts if required.
- ▶ Observe the maintenance instructions – consult Pfeiffer Vacuum if necessary.



Ejection of operating fluid!

Danger of operating fluid ejection at the exhaust connection due to overfilling.

- Drain operating fluid to the normal level prior to recommissioning.

8.3 Disposal

WARNING

Health risk and environmental damage due to poisoning on toxic contaminated parts or devices

Toxic process media result in contamination of the devices or parts thereof. During maintenance work there is a health risk due to contact with these poisonous substances. The non-permitted disposal of toxic substances results in environmental damage.

- ▶ Take appropriate safety precautions and avoid health risks or environmental hazards due to toxic process media.
- ▶ Decontaminate the affected parts before carrying out maintenance work.
- ▶ Wear protective equipment.

- ▶ Dispose all substances safely and in accordance with the locally applicable regulations.



9 Malfunctions

⚠ CAUTION

Danger of burns on hot surfaces!

In the event of a fault, the surface temperature of the pump can rise to above 105°C.

- ▶ Carry out any work on the pump only after cooling to a safe temperature.
- ▶ Wear personal protective equipment if necessary.



Danger of property damage from improper maintenance

Pfeiffer Vacuum is not liable for pump damage caused by work being carried out incorrectly.

- We recommend looking into our service training offering.
- When ordering a replacement part, provide the data from the pump rating plate where possible.

Should malfunctions occur, you can find information about potential causes and how to fix them here:

Problem	Possible causes	Remedy
Pump will not start up	<ul style="list-style-type: none"> • No mains voltage or voltage does not correspond to the motor data 	<ul style="list-style-type: none"> • Check the mains voltage and mains fuse; check the motor switch if necessary.
	<ul style="list-style-type: none"> • Pump temperature too low 	<ul style="list-style-type: none"> • Check mains voltage and mains fuse; check motor switch.
	<ul style="list-style-type: none"> • Thermal protection switch has triggered 	<ul style="list-style-type: none"> • Identify and eliminate the cause; allow pump to cool if necessary.
	<ul style="list-style-type: none"> • Pumping system contaminated 	<ul style="list-style-type: none"> • Clean the pump; contact Pfeiffer Vacuum if necessary.
	<ul style="list-style-type: none"> • Pumping system damaged 	<ul style="list-style-type: none"> • Clean and service pump; contact Pfeiffer Vacuum if necessary.
	<ul style="list-style-type: none"> • Motor faulty 	<ul style="list-style-type: none"> • Replace the motor.
Pump switches off after a while after being started	<ul style="list-style-type: none"> • Thermal protection switch of the motor has triggered 	<ul style="list-style-type: none"> • Identify and eliminate the cause of the overheating; allow motor to cool if necessary.
	<ul style="list-style-type: none"> • Mains fuse triggered due to overload (e.g. cold start) 	<ul style="list-style-type: none"> • Bring pump to permissible ambient temperature range.
	<ul style="list-style-type: none"> • Exhaust pressure too high 	<ul style="list-style-type: none"> • Check exhaust line outlet opening and exhaust side accessories.
Pump not reaching specified end pressure	<ul style="list-style-type: none"> • Measurement result distorted 	<ul style="list-style-type: none"> • Check measurement instrument, check ultimate pressure with system disconnected.
	<ul style="list-style-type: none"> • Pump or connected accessory contaminated 	<ul style="list-style-type: none"> • Clean the pump and check the components for pollution.
	<ul style="list-style-type: none"> • Operating fluid contaminated 	<ul style="list-style-type: none"> • Operate the pump for an extended period of time with gas ballast valve open, or change the operating fluid.
	<ul style="list-style-type: none"> • Operating fluid level too low 	<ul style="list-style-type: none"> • Refill operating fluid
	<ul style="list-style-type: none"> • Leak in system 	<ul style="list-style-type: none"> • Locate and eliminate the leak.
	<ul style="list-style-type: none"> • Pump is damaged 	<ul style="list-style-type: none"> • Contact Pfeiffer Vacuum service.



Problem	Possible causes	Remedy
Pumping speed of pump too low	<ul style="list-style-type: none"> The intake line is not suitably dimensioned 	<ul style="list-style-type: none"> Make sure that connections are short and cross sections adequately dimensioned.
	<ul style="list-style-type: none"> Exhaust pressure too high 	<ul style="list-style-type: none"> Check exhaust line outlet opening and exhaust side accessories.
Loss of operating fluid	<ul style="list-style-type: none"> Casing seal is leaking 	<ul style="list-style-type: none"> Check and replace the seal if necessary.
	<ul style="list-style-type: none"> Radial shaft seal ring (RSSR) leaking – not applicable to pumps with magnetic coupling 	<ol style="list-style-type: none"> Check and replace RSSR if necessary. Check and also replace the associated bushing if necessary.
	<ul style="list-style-type: none"> Operational operating fluid loss – no oil mist filter (ONF/OME) 	<ul style="list-style-type: none"> Install ONF/OME.
	<ul style="list-style-type: none"> Operational operating fluid loss – with oil mist filter (ONF/OME) 	<ul style="list-style-type: none"> Clean ONF/OME and oil return (ODK); replace filter if necessary.
Unusual noises during operation	<ul style="list-style-type: none"> Silencer is contaminated 	<ul style="list-style-type: none"> Clean the silencer or replace it.
	<ul style="list-style-type: none"> Pumping system is contaminated or damaged 	<ul style="list-style-type: none"> Clean and service pump; contact Pfeiffer Vacuum if necessary.
	<ul style="list-style-type: none"> Motor bearing is faulty 	<ul style="list-style-type: none"> Replace motor; contact Pfeiffer Vacuum if necessary.

Tbl. 11: Troubleshooting for rotary vane pumps

10 Service solutions from Pfeiffer Vacuum

We offer first class service

Long vacuum component service life, coupled with low downtimes, are clear expectations that you have of us. We satisfy your needs with capable products and outstanding service.

Our intention is always to optimize our core expertise, servicing vacuum components. After the purchase of a product from Pfeiffer Vacuum, our service is still far from over. Often that's precisely where it starts. Naturally with proven Pfeiffer Vacuum quality.

Our professional sales engineers and service technicians stand ready to provide hands-on support to you worldwide. Pfeiffer Vacuum offers a complete portfolio of service offerings, ranging from [genuine spare parts](#) right through to [service agreements](#).

Take advantage of Pfeiffer Vacuum Service

Whether for preventative on-site service from our field service, fast replacement with as-new replacement products or repair in a [Service Center](#) close to you; you have various options for upholding your equipment availability. Detailed information and addresses can be found on our website in the [Pfeiffer Vacuum Service](#) section.

Advice on the optimum solution is available from your [Pfeiffer Vacuum contact partner](#).

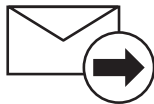
For quick and smooth handling of the service process, we recommend the following steps:



1. Download the current form templates.
 - [Declaration of Service Request](#)
 - [Service Request](#)
 - [Declaration of Contamination](#)



- a. Dismantle all accessories (all parts that are not original parts).
 - b. Drain the operating fluid/lubricant as necessary.
 - c. Drain the cooling medium as necessary.
2. Fill out the service request and the declaration of contamination.



3. Send the forms via email, fax or post to your local [Service Center](#).



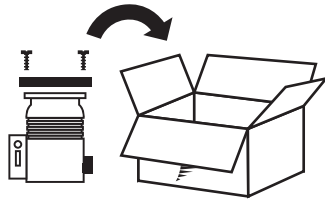
4. You will receive a response from Pfeiffer Vacuum.

PFEIFFER VACUUM

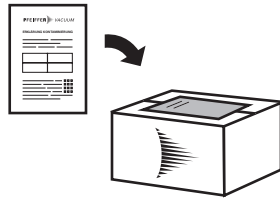
Sending of contaminated products

No units will be accepted if they are contaminated with micro-biological, explosive or radioactive substances. If products are contaminated or if the declaration of contamination is missing, Pfeiffer Vacuum performs decontamination at the **shipper's expense**.

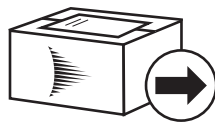




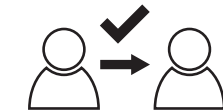
5. Prepare the product for transport in accordance with the details in the declaration of contamination.
 - a) Neutralize the pump with nitrogen or dry air.
 - b) Close all openings airtight.
 - c) Seal the product in appropriate protective film.
 - d) Only pack the product in suitable, stable transport containers.
 - e) Observe the valid transport conditions.



6. Affix the declaration of contamination to the **outside** of the packaging.



7. Then send your product to your local [Service Center](#).



8. You will receive a confirmation message from Pfeiffer Vacuum.

PFEIFFER VACUUM

For all service orders, our [General Terms and Conditions of Sales and Supply](#) and [General Terms and Conditions of Repair and Maintenance](#) apply to vacuum equipment and components.



11 Spare parts

11.1 Spare parts packs

Observe the following instructions when ordering spare parts:

Spare parts ordering

- ▶ Where possible, have the pump part number to hand, along with other details from the rating plate if necessary.
- ▶ Only use original spare parts.

Spare parts pack	Pump version	Order no.
Set of seals	Uno 35	PK E20 001 -T
	Uno 65/Uno 65 M	
Maintenance level 1 Maintenance kit 1	all	PK E21 005 -T
Maintenance level 2 Maintenance kit 2	Uno 35/65	PK E21 001 -T
	Uno 65 M	PK E21 002 -T
Maintenance level 3 Overhaul kit	Uno 35	PK E22 001 -T
	Uno 65	PK E22 003 -T
	Uno 65 M	PK E22 004 -T
Set of vanes	Uno 35	PK E28 001 -T
	Uno 65	PK E28 002 -T
	Uno 65 M	PK E28 002 -T
Coupling set	Uno 35/65	PK E26 001 -T
	Uno 65 M	PK E26 002 -T

Tbl. 12: Uno 35/65, Uno 65 M

Spare parts pack	Pump version Pump part no.	Order no.
Set of seals	Duo 35	PK E20 001 -T
	Duo 65	
Maintenance level 1 Maintenance kit 1	all	PK E21 005 -T
Maintenance level 2 Maintenance kit 2	Duo 35	PK E21 001 -T
	Duo 65	
Maintenance level 3 Overhaul kit	Duo 35	PK E22 005 -T
	Duo 65	PK E22 011 -T
Set of vanes	Duo 35	PK E28 003 -T
	Duo 65	PK E28 005 -T
Coupling set	Duo 35	PK E26 001 -T
	Duo 65	

Tbl. 13: Duo 35/65



Spare parts pack	Pump version Pump part no.	Order no.
Set of seals	Duo 35 M	PK E20 001 -T
	Duo 65 M	
Maintenance level 1 Maintenance kit 1	all	PK E21 005 -T
Maintenance level 2 Maintenance kit 2	Duo 35 M	PK E21 002 -T
	Duo 65 M	
Maintenance level 3 Overhaul kit	Duo 35 M	PK E22 010 -T
	Duo 65 M	PK E22 012 -T
Set of vanes	Duo 35 M	PK E28 003 -T
	Duo 65 M	PK E28 005 -T
Coupling set	Duo 35 M	PK E26 002 -T
	Duo 65 M	

Tbl. 14: Duo 35/65 M

Spare parts pack	Pump version	Order no.
Set of seals	Duo 35 C	PK E20 003 -T
	Duo 65 C	
	Duo 35 MC	PK E20 001 -T
	Duo 65 MC	
Maintenance level 1 Maintenance kit 1	all	PK E21 005 -T
Maintenance level 2 Maintenance kit 2	Duo 35 C	PK E21 003 -T
	Duo 65 C	
	Duo 35 MC	PK E21 002 -T
	Duo 65 MC	
Maintenance level 3 Overhaul kit	Duo 35 C	PK E22 007 -T
	Duo 65 C	PK E22 014 -T
	Duo 35 MC	PK E22 017 -T
	Duo 65 MC	PK E22 016 -T
Set of vanes	Duo 35 C/MC	PK E28 004 -T
	Duo 65 C/MC	PK E28 006 -T
Coupling set	Duo 35 C	PK E26 001 -T
	Duo 65 C	
	Duo 35 MC	PK E26 004 -T
	Duo 65 MC	

Tbl. 15: Duo 35/65 C/MC

11.1.1 Set of seals

The set of seals contains:

- all seals from the main- and sub-assemblies,
- the radial shaft seal ring (RSSR).

11.1.2 Maintenance kit 1 – maintenance level 1

Maintenance kit 1 contains the filler and drain screw seals for an operating fluid change, and the seal of the cap for cleaning the oil chamber. It also contains the seals and wearing parts for cleaning the gas ballast valve.

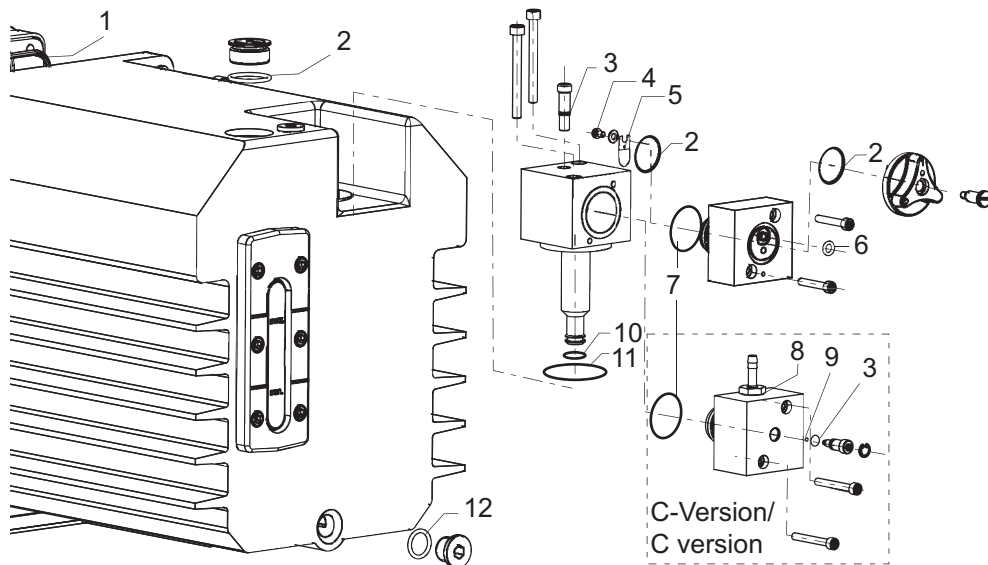


Fig. 28: Maintenance kit 1

Item no.	Designation	Size	Shipment
1	O-ring, FPM	270 x 5	1
2	O-ring, FPM	24 x 2.5	3
3	O-ring, FPM	5 x 1.5	2
4	Cheesehead screw	M4 x 6	1
5	Plate spring	—	1
6	O-ring, FPM	6 x 2.2	1
7	O-ring, FPM	27 x 2.5	1
8	O-ring, FPM	12 x 1.5	1
9	O-ring, FPM	2.1 x 1	1
10	O-ring, FPM	10 x 2.5	1
11	O-ring, FPM	38 x 3	1
12	O-ring, FPM	15 x 2.5	2
			of which 1 is for ODK connection (not shown in figure)

Tbl. 16: Order no.: PK E01 050 CT

11.1.3 Overhaul kit and set of seals

The overhaul kit contains all the wearing parts of the pump, which must be replaced after the pump is dismantled and cleaned. It consists of:

- set of seals with all seals from the main- and sub-assemblies,
- wearing parts of the pumping system (including vane and springs),
- wearing parts of the valves,
- and the coupling spider.

11.1.4 Set of vanes

The set of vanes contains:



- the vanes and vane springs.

11.1.5 Coupling set

The coupling set contains:

- the two coupling halves,
- the coupling spider with fan,
- the containment shell with O-ring (in version with magnetic coupling only)

12 Technical data and dimensions

12.1 General

Basis for the technical data of Pfeiffer Vacuum rotary vane pumps:

- Specifications according to PNEUROP committee PN5
- ISO 21360; 2007: "Vacuum technology - Standard methods for measuring vacuum-pump performance - General description"

	mbar	bar	Pa	hPa	kPa	Torr mm Hg
mbar	1	$1 \cdot 10^{-3}$	100	1	0.1	0.75
bar	1000	1	$1 \cdot 10^5$	1000	100	750
Pa	0.01	$1 \cdot 10^{-5}$	1	0.01	$1 \cdot 10^{-3}$	$7.5 \cdot 10^{-3}$
hPa	1	$1 \cdot 10^{-3}$	100	1	0.1	0.75
kPa	10	0.01	1000	10	1	7.5
Torr mm Hg	1.33	$1.33 \cdot 10^{-3}$	133.32	1.33	0.133	1

1 Pa = 1 N/m²

Tbl. 17: Conversion table: Pressure units

	mbar l/s	Pa m ³ /s	sccm	Torr l/s	atm cm ³ /s
mbar l/s	1	0.1	59.2	0.75	0.987
Pa m ³ /s	10	1	592	7.5	9.87
sccm	$1.69 \cdot 10^{-2}$	$1.69 \cdot 10^{-3}$	1	$1.27 \cdot 10^{-2}$	$1.67 \cdot 10^{-2}$
Torr l/s	1.33	0.133	78.9	1	1.32
atm cm ³ /s	1.01	0.101	59.8	0.76	1

Tbl. 18: Conversion table: Units for gas throughput

12.2 Technical data

Order number	PK D35 602	PK D36 602
Selection field	Uno 35, 3-phase motor, 3TF, 220-240/380-420 V, 50 Hz; 250-277/440-480 V, 60 Hz	Uno 65, Rotary vane pump, 230/400 V, 50 Hz; 265/460 V, 60 Hz
Classification advanced	Uno 35, 3-phase motor, 3TF	Uno 65, Rotary vane pump
Classification	Uno 35	Uno 65
Water vapor capacity 50 Hz	–	1400 g/h
Water vapor capacity 60 Hz	–	1600 g/h
Water vapor tolerance at 50 Hz	–	30 hPa
Water vapor tolerance at 60 Hz	–	30 hPa
Cooling method, standard	Air	Air
Motor protection	–	3TF
Motor version		3-phase Motor
Motor for region	Asia, Europe	–



Ambient temperature	12 – 40 °C	12 – 40 °C
622-Ambient temperature, min	12 °C	12 °C
Ambient temperature, max	40 °C	40 °C
Flange (out)	DN 40 ISO-KF	DN 40 ISO-KF
Flange (in)	DN 40 ISO-KF	DN 40 ISO-KF
Ultimate pressure with gas ballast	1 hPa	≤ 1 hPa
Ultimate pressure without gas ballast	$5 \cdot 10^{-2}$ hPa	≤ $5 \cdot 10^{-2}$ hPa
Emission sound pressure level without gas ballast at 50 Hz	61 dB(A)	≤ 61 dB(A)
Exhaust pressure, max.	1500 hPa	1500 hPa
Exhaust pressure, min.	–	Atmospheric pressure
Exhaust pressure, min.	250 hPa	–
Weight	60 kg	–
Weight: with motor	–	70 kg
Pumping speed at 60 Hz	36 m ³ /h	70 m ³ /h
Pumping speed at 50 Hz	32 m ³ /h	62 m ³ /h
Switch	No	No
Mains requirement: voltage (range)	±5 %	±5 %
Mains requirement: voltage 50 Hz	230/400 V	230/400 V
Mains requirement: voltage 60 Hz	265/460 V	265/460 V
Mains cable	No	No
Gas ballast		Yes
Operating fluid	P3	P3
Operating fluid filling	4.5 l	5.4 l
Rotation speed at 50 Hz	1500 rpm	1500 rpm
Rotation speed at 60 Hz	1800 rpm	1800 rpm
Rated power 50 Hz	1.1 kW	1.5 kW
Rated power 60 Hz	1.3 kW	1.8 kW
Protection category	IP55	IP55
Leak rate safety valve	$1 \cdot 10^{-5}$ Pa m ³ /s	≤ $1 \cdot 10^{-5}$ Pa m ³ /s
Shipping and storage temperature	-25 – 55 °C	-25 – 55 °C

Tbl. 19: Technical data, Uno 35/65

Order number	PK D45 602	PK D45 028	PK D45 027
Selection field	Duo 35, 3-phase motor, 3TF, 230/400 V, 50 Hz; 265/460 V, 60 Hz	Duo 35 M, 3-phase motor, 3TF, 230/400 V, 50 Hz; 265/460 V, 60 Hz	Duo 35 MC, 3-phase motor, 3TF, 230/400 V, 50 Hz; 265/460 V, 60 Hz
Classification advanced	Duo 35, 3-phase motor, 3TF	Duo 35 M, 3-phase motor, 3TF	Duo 35 MC, 3-phase motor, 3TF
Classification	Duo 35	Duo 35 M	Duo 35 MC
Sealing gas	No	No	No
Cooling method, standard	Air	Air	Air
Motor protection	3TF	3TF	3TF
Motor version			



Motor for region	Asia, Europe	Asia, Europe	Asia, Europe
Temperature: Operating, max.	80 °C	80 °C	80 °C
Ambient temperature	12 – 40 °C	12 – 40 °C	12 – 40 °C
622-Ambient temperature, min	12 °C	12 °C	12 °C
Ambient temperature, max	40 °C	40 °C	40 °C
Flange (out)	DN 40 ISO-KF	DN 40 ISO-KF	DN 40 ISO-KF
Flange (in)	DN 40 ISO-KF	DN 40 ISO-KF	DN 40 ISO-KF
Ultimate pressure with gas ballast	$3 \cdot 10^{-3}$ hPa	$3 \cdot 10^{-3}$ hPa	$4 \cdot 10^{-3}$ hPa
Ultimate pressure without gas ballast	$2 \cdot 10^{-3}$ hPa	$2 \cdot 10^{-3}$ hPa	$3 \cdot 10^{-3}$ hPa
Emission sound pressure level without gas ballast at 50 Hz	61 dB(A)	61 dB(A)	61 dB(A)
Exhaust pressure, max.	1500 hPa	–	–
Exhaust pressure, min.	Atmospheric pressure	–	–
Weight: with motor	68 kg	70 kg	74 kg
Pumping speed at 60 Hz	36 m ³ /h	36 m ³ /h	36 m ³ /h
Pumping speed at 50 Hz	32 m ³ /h	32 m ³ /h	32 m ³ /h
Switch	No	No	No
Mains requirement: voltage (range)	± 5 %	± 5 %	± 5 %
Mains requirement: voltage 50 Hz	230/400 V	230/400 V	230/400 V
Mains requirement: voltage 60 Hz	265/460 V	265/460 V	265/460 V
Mains cable	No	No	No
Operating fluid	P3	P3	F5
Operating fluid filling	3.2 l	3.2 l	3.2 l
Rotation speed at 50 Hz	1500 rpm	1500 rpm	1500 rpm
Rotation speed at 60 Hz	1800 rpm	1800 rpm	1800 rpm
Rated power 50 Hz	1.1 kW	1.1 kW	1.1 kW
Rated power 60 Hz	1.3 kW	1.3 kW	1.3 kW
Protection category	IP55	IP55	IP55
Leak rate safety valve	$1 \cdot 10^{-5}$ Pa m ³ /s	$1 \cdot 10^{-5}$ Pa m ³ /s	$1 \cdot 10^{-5}$ Pa m ³ /s
Shipping and storage temperature	-25 – 55 °C	-25 – 55 °C	-25 – 55 °C
Operating fluid included in delivery	Yes	Yes	No

Tbl. 20: Technical data, Duo 35

Order number	PK D46 602	PK D46 035	PK D46 036
Selection field	Duo 65, 3-phase motor, 3TF, 230/400 V, 50 Hz; 265/460 V, 60 Hz	Duo 65 M, 3-phase motor, 3TF, 230/400 V, 50 Hz; 265/460 V, 60 Hz	Duo 65 MC, 3-phase motor, 3TF, 230/400 V, 50 Hz; 265/460 V, 60 Hz



Classification advanced	Duo 65, 3-phase motor, 3TF	Duo 65 M, 3-phase motor, 3TF	Duo 65 MC, 3-phase motor, 3TF
Classification	Duo 65	Duo 65 M	Duo 65 MC
Sealing gas	No	No	No
Cooling method, standard	Air	Air	Air
Motor protection	3TF	3TF	3TF
Motor version		3-phase Motor	3-phase Motor
Motor for region	Asia, Europe	Asia, Europe	Asia, Europe
Ambient temperature	12 – 40 °C	12 – 40 °C	12 – 40 °C
622-Ambient temperature, min	12 °C	12 °C	12 °C
Ambient temperature, max	40 °C	40 °C	40 °C
Flange (out)	DN 40 ISO-KF	DN 40 ISO-KF	DN 40 ISO-KF
Flange (in)	DN 40 ISO-KF	DN 40 ISO-KF	DN 40 ISO-KF
Ultimate pressure with gas ballast	$3 \cdot 10^{-3}$ hPa	$3 \cdot 10^{-3}$ hPa	$4 \cdot 10^{-3}$ hPa
Ultimate pressure without gas ballast	$2 \cdot 10^{-3}$ hPa	$2 \cdot 10^{-3}$ hPa	$3 \cdot 10^{-3}$ hPa
Emission sound pressure level without gas ballast at 50 Hz	61 dB(A)	61 dB(A)	61 dB(A)
Exhaust pressure, max.	1500 hPa	1500 hPa	1500 hPa
Exhaust pressure, min.	Atmospheric pressure	250 hPa	–
Weight: with motor	75 kg	78 kg	88 kg
Pumping speed at 60 Hz	70 m ³ /h	70 m ³ /h	70 m ³ /h
Pumping speed at 50 Hz	62 m ³ /h	62 m ³ /h	62 m ³ /h
Switch	No	No	No
Mains requirement: voltage (range)	± 5 %	± 5 %	± 5 %
Mains requirement: voltage 50 Hz	230/400 V	230/400 V	230/400 V
Mains requirement: voltage 60 Hz	265/460 V	265/460 V	265/460 V
Mains cable	No	No	No
Operating fluid	P3	P3	F5
Operating fluid filling	4.2 l	4.2 l	4.2 l
Rotation speed at 50 Hz	1500 rpm	1500 rpm	1500 rpm
Rotation speed at 60 Hz	1800 rpm	1800 rpm	1800 rpm
Rated power 50 Hz	1.5 kW	1.5 kW	1.5 kW
Rated power 60 Hz	1.8 kW	1.8 kW	1.8 kW
Protection category	IP55	IP55	IP55
Leak rate safety valve	$1 \cdot 10^{-5}$ Pa m ³ /s	$1 \cdot 10^{-5}$ Pa m ³ /s	$1 \cdot 10^{-5}$ Pa m ³ /s
Power consumption max.	3 kW	3 kW	3 kW
Current consumption max.	4.2 A	4.2 A	4.2 A
Shipping and storage temperature	-25 – 55 °C	-25 – 55 °C	-25 – 55 °C
Operating fluid included in delivery	Yes	Yes	No



Tbl. 21: Technical data, Duo 65

Order number	PK D45 202	PK D46 202
Selection field	Duo 35 C, 3-phase motor, 3TF	Duo 65 C, 3-phase motor, 3TF, 230/400 V, 50 Hz; 265/460 V, 60 Hz
Classification advanced	Duo 35 C, 3-phase motor, 3TF	Duo 65 C, 3-phase motor, 3TF
Classification	Duo 35 C	Duo 65 C
Sealing gas	No	No
Cooling method, standard	Air	Air
Motor protection	3TF	3TF
Motor version		
Motor for region	Asia, Europe	Asia, Europe
Temperature: Operating, max.	80 °C	–
Ambient temperature	12 – 40 °C	12 – 40 °C
622-Ambient temperature, min	12 °C	12 °C
Ambient temperature, max	40 °C	40 °C
Flange (out)	DN 40 ISO-KF	DN 40 ISO-KF
Flange (in)	DN 40 ISO-KF	DN 40 ISO-KF
Ultimate pressure with gas ballast	$4.5 \cdot 10^{-3}$ hPa	$4.5 \cdot 10^{-3}$ hPa
Ultimate pressure without gas ballast	$3 \cdot 10^{-3}$ hPa	$3 \cdot 10^{-3}$ hPa
Emission sound pressure level without gas ballast	–	≤ 61 dB(A)
Emission sound pressure level without gas ballast at 50 Hz	61 dB(A)	–
Exhaust pressure, max.	1500 hPa	1500 hPa
Exhaust pressure, min.	Atmospheric pressure	Atmospheric pressure
Weight: with motor	68 kg	75 kg
Pumping speed at 60 Hz	36 m ³ /h	70 m ³ /h
Pumping speed at 50 Hz	32 m ³ /h	62 m ³ /h
Switch	No	No
Mains requirement: voltage (range)	± 5 %	± 5 %
Mains requirement: voltage 50 Hz	230/400 V	230/400 V
Mains requirement: voltage 60 Hz	265/460 V	265/460 V
Mains cable	No	No
Gas ballast	Yes	Yes
Operating fluid	F5	F5
Operating fluid filling	3.2 l	4.2 l
Rotation speed at 50 Hz	1500 rpm	1500 rpm
Rotation speed at 60 Hz	1800 rpm	1800 rpm
Rated power 50 Hz	1.1 kW	1.5 kW
Rated power 60 Hz	1.3 kW	1.8 kW
Protection category	IP55	IP55
Leak rate safety valve	$1 \cdot 10^{-5}$ Pa m ³ /s	$1 \cdot 10^{-5}$ Pa m ³ /s
Operating fluid included in delivery	No	No



Tbl. 22: Technical data, Duo 35/65 C

Ultimate pressure according to PNEUROP

12.3 Dimensions

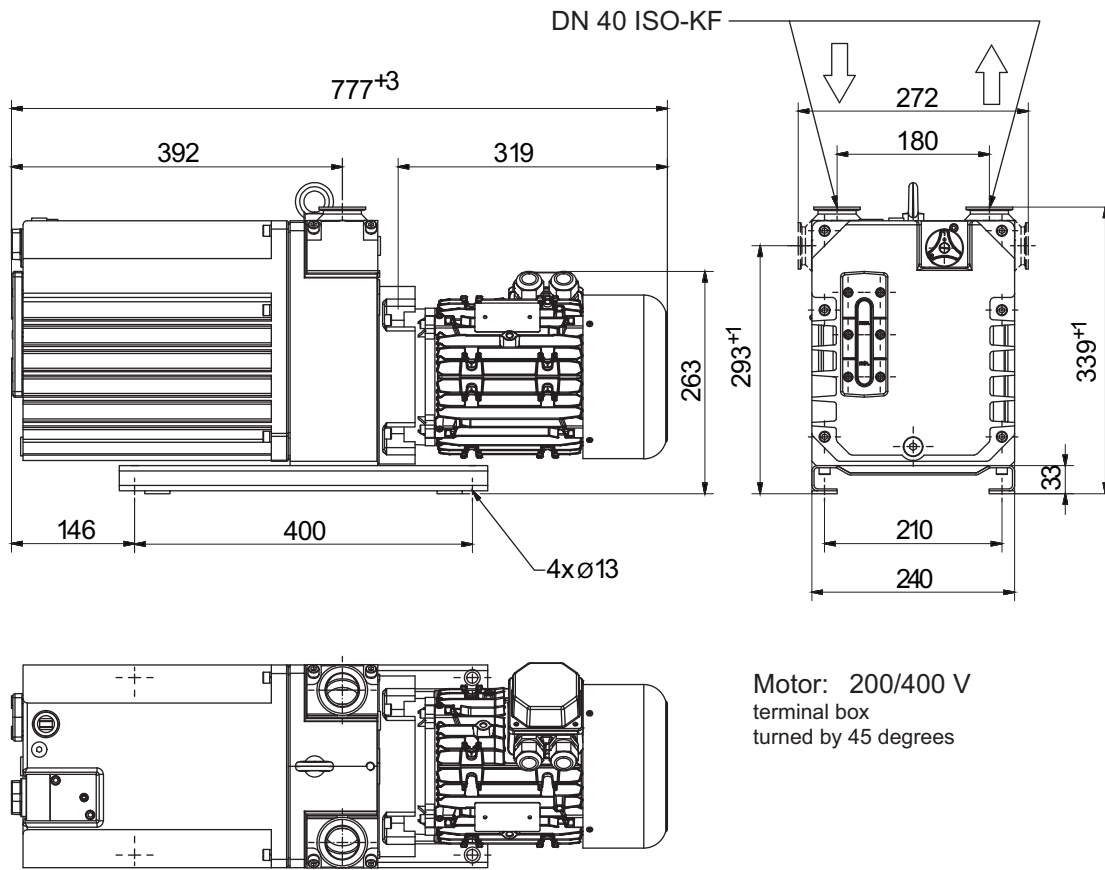


Fig. 29: Duo 65 | PK D46 630 E

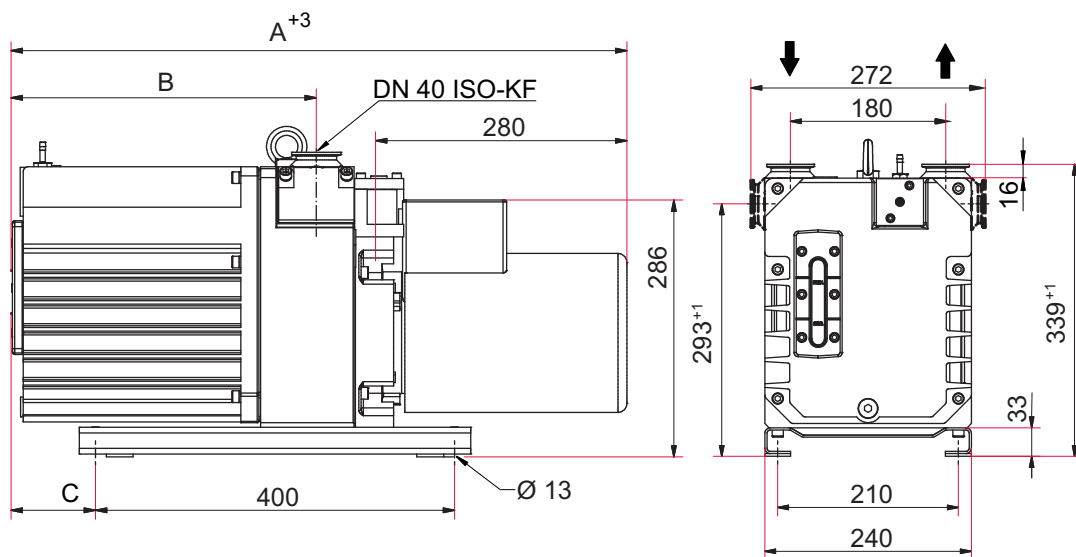


Fig. 30: Uno/Duo 35/65



Dimensions	PK D35 602 Uno 35, 3-phase motor, 3TF, 220-240/380-420 V, 50 Hz; 250-277/440-480 V, 60 Hz	PK D36 602 Uno 65, Rotary vane pump, 230/400 V, 50 Hz; 265/460 V, 60 Hz
A	645 mm	725 mm
B	312 mm	392 mm
C	66 mm	146 mm

Tbl. 23: Uno 35/65

Dimen- sions	PK D45 602 Duo 35, 3-phase motor, 3TF, 230/400 V, 50 Hz; 265/460 V, 60 Hz	PK D45 642 Duo 35, Rotary vane pump, 208– 220/380 V, 60 Hz, 3TF	PK D46 602 Duo 65, 3-phase motor, 3TF, 230/400 V, 50 Hz; 265/460 V, 60 Hz	PK D46 642 Duo 65, Rota- ry vane pump, 208 – 220/380 V, 60 Hz, 3TF
A	645 mm	668 mm	725 mm	780 mm
B	312 mm	312 mm	392 mm	392 mm
C	66 mm	66 mm	146 mm	146 mm

Tbl. 24: Duo 35/65

Dimen- sions	PK D45 202 Duo 35 C, 3- phase motor, 3TF	PK D45 242 Duo 35 C, 3-phase motor, 3TF, 220/380 V, 60 Hz	PK D46 202 Duo 65 C, 3-phase motor, 3TF, 230/400 V, 50 Hz; 265/460 V, 60 Hz	PK D46 242 Duo 65 C, 3-phase motor, 3TF, 200/346 V, 50 Hz; 220/380 V, 60 Hz
A	645 mm	668 mm	725 mm	780 mm
B	312 mm	312 mm	392 mm	392 mm
C	66 mm	66 mm	146 mm	146 mm

Tbl. 25: Duo 35/65 C

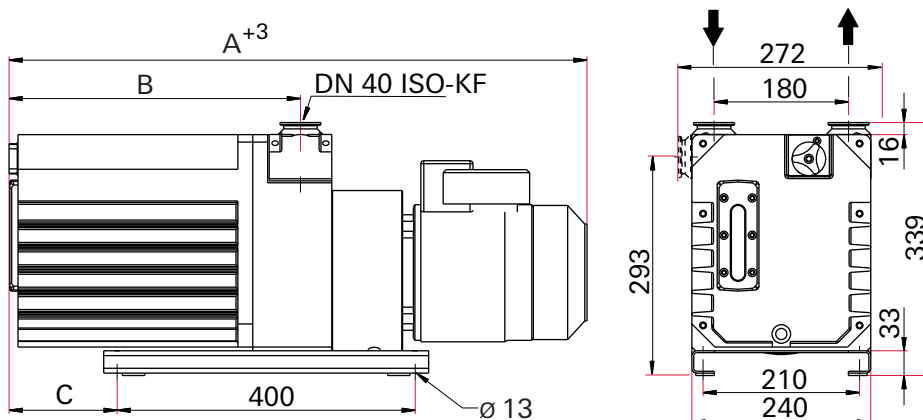


Fig. 31: Duo 35/65 M, Duo 35/65 MC



Dimensions	PK D45 028 Duo 35 M, 3-phase motor, 3TF, 230/400 V, 50 Hz; 265/460 V, 60 Hz	PK D45 023 and other pumps	PK D46 035 Duo 65 M, 3-phase motor, 3TF, 230/400 V, 50 Hz; 265/460 V, 60 Hz	PK D46 049 and other pumps
A	691 mm	714 mm	771 mm	826 mm
B	312 mm	312 mm	392 mm	392 mm
C	66 mm	66 mm	146 mm	146 mm

Tbl. 26: Duo 35/65 M

Dimensions	PK D45 027 Duo 35 MC, 3-phase motor, 3TF, 230/400 V, 50 Hz; 265/460 V, 60 Hz	PK D46 036 Duo 65 MC, 3-phase motor, 3TF, 230/400 V, 50 Hz; 265/460 V, 60 Hz	PK D46 025 and other pumps
A	726 mm	806 mm	861 mm
B	312 mm	392 mm	392 mm
C	66 mm	146 mm	146 mm

Tbl. 27: Duo 35/65 MC

13 Accessories



View the range of accessories for Pfeiffer Vacuum rotary vane pumps online at pfeiffer-vacuum.com.

Description	Uno/Duo 35/65 -/M
SAS 40, DN 40 ISO-KF	PK Z60 510
KAS 40, condensate separator	PK Z10 008
OME 40 M, oil mist filter	PK Z40 150
Oil return unit ODK from OME 40 M/C to Duo 35/65	PK 005 950 -T
OME 40 MR, oil mist filter	PK Z40 151
Oil mist eliminator OME 40 S	104887
OFM 35/65, mechanical oil filter	PK Z90 321
OFC 35/65, chemical oil filter	PK Z90 320
OFM 35/65, mechanical oil filter	PK Z90 321
External oil filter DE 1, 110 V	068991
External oil filter DE 1, 230 V	068990
External oil filter DE 2, 110 V	104375
External oil filter DE 2, 230 V	104374
ZFO 040, zeolite trap	PK Z70 008
FAK 040, activated carbon filter	PK Z30 008
KLF 040, cold trap	PK Z80 008
URB 040, catalytic trap	PT U10 260
URB 040, catalytic trap	PT U10 261
Oil pressure switch	PK 223 720 -U
Oil pressure switch	PK 223 741 -U
PTC-resistor tripping device	P 4768 052 FQ
Soft starter 3.6 A	P 4769 001
Soft starter 6.5 A	P 4769 003
Soft starter 9 A	P 4769 004
Operations monitoring unit 3	PK 223 739 AU
Operations monitoring unit 1	PK 223 718 AU
Gas flushing device for Duo 35 and Duo 65	PK 007 300 -T
Blank flange gas ballast valve	PK 223 797 -T
Gas ballast valve-conversion kit with Hose nozzle	PK 223 713 -U
Gas ballast valve conversion kit with magnetic valve	PK 223 717 -U
Gas ballast valve complete in C-version	PK 223 747 -U
Adapter Uno/Duo 35/65	PK 223 787 -T
Adapter Uno/Duo 35/65	PK 224 629 -T

Tbl. 28: Standard version



Description	Duo 35/65 C/MC
KAS 40 C, condensate separator, corrosive version	PK Z10 408
OME 40 C, oil mist filter	PK Z40 152
Oil return unit ODK from OME 40 M/C to Duo 35/65	PK 005 950 -T
OME 40 CR, oil mist separator with oil return to pump	PK Z40 153
OFC 35/65, chemical oil filter	PK Z90 320
External oil filter DE 1, 110 V	068991
External oil filter DE 1, 230 V	068990
External oil filter DE 2, 110 V	104375
External oil filter DE 2, 230 V	104374
KLF 040, cold trap	PK Z80 008
Oil pressure switch	PK 223 720 -U
Oil pressure switch	PK 223 741 -U
PTC-resistor tripping device	P 4768 052 FQ
Soft starter 3.6 A	P 4769 001
Soft starter 6.5 A	P 4769 003
Soft starter	P 4769 004
Operations monitoring unit 3	PK 223 739 AU
Operations monitoring unit 1	PK 223 718 AU
Blank flange gas ballast valve	PK 223 797 -T
Gas ballast valve with magnet valve, 24 V DC	PK 223 816 -T
Adapter Uno/Duo 35/65	PK 223 787 -T
Adapter Uno/Duo 35/65	PK 224 629 -T

TbI. 29: C and MC versions

Description	Order no.
P3, mineral oil, 1 l	PK 001 106 -T
P3, mineral oil, 5 l	PK 001 107 -T
P3, mineral oil, 20 l	PK 001 108 -T
D1, synthetic diester based oil, 1 l	PK 005 875 -T
D1, synthetic diester based oil, 5 l	PK 005 876 -T
D1, synthetic diester based oil, 20 l	PK 005 877 -T
F5, Perfluoropolyether, 0.5 l	PK 001 851 -T
F5, Perfluoropolyether, 1 l	PK 001 852 -T
F5, Perfluoropolyether, 5 l	PK 001 853 -T

TbI. 30: Consumables





Declaration of conformity

We hereby declare that the product cited below satisfies all relevant provisions of the following **EU Directives**:

- **Machinery 2006/42/EC (Annex II, no. 1 A)**
- **Electromagnetic compatibility 2014/30/EU**
- **Restriction of the use of certain hazardous substances 2011/65/EU**

The authorized representative for the compilation of technical documents is Mr. Sebastian Oberbeck, Pfeiffer Vacuum GmbH, Berliner Straße 43, 35614 Asslar, Germany.

UnoLine | DuoLine

Uno 35/65

Duo 35/65

Harmonized standards and applied national standards and specifications:

EN ISO 12100: 2010

EN 61000-6-1: 2007

EN 1012-2: 2011-12

EN 61000-6-2: 2006

EN ISO 13857: 2008

EN 61000-6-3: 2007 + A1: 2011

ISO 21360-1, 2: 2012

EN 61000-6-4: 2007 + A1: 2011

EN 61010-1: 2010

EN ISO 2151: 2: 2008

Signature:

Pfeiffer Vacuum GmbH
Berliner Straße 43
35614 Asslar
Germany

(Dr. Ulrich von Hülsen)
President

Asslar, 10/12/2017





VACUUM SOLUTIONS FROM A SINGLE SOURCE

Pfeiffer Vacuum stands for innovative and custom vacuum solutions worldwide, technological perfection, competent advice and reliable service.

COMPLETE RANGE OF PRODUCTS

From a single component to complex systems:

We are the only supplier of vacuum technology that provides a complete product portfolio.

COMPETENCE IN THEORY AND PRACTICE

Benefit from our know-how and our portfolio of training opportunities!

We support you with your plant layout and provide first-class on-site service worldwide.

ed. Q - Date 1710 - P/N:PK0168BEN



Are you looking for a perfect vacuum solution?
Please contact us

Pfeiffer Vacuum GmbH
Headquarters • Germany
T +49 6441 802-0
info@pfeiffer-vacuum.de

www.pfeiffer-vacuum.com

PFEIFFER  **VACUUM**

