



# OPERATING INSTRUCTIONS

EN

Translation of the Original

## PCR 280

Pirani/capacitive gauge

**PFEIFFER**  **VACUUM**



---

## Dear Customer,

Thank you for choosing a Pfeiffer Vacuum product. Your new gauge is designed to support you in your individual application with maximum performance and without malfunctions. The name Pfeiffer Vacuum stands for high-quality vacuum technology, a comprehensive and complete range of top-quality products and first-class service. From this extensive, practical experience we have gained a large volume of information that can contribute to efficient deployment and to your personal safety.

In the knowledge that our product must avoid consuming work output, we trust that our product can offer you a solution that supports you in the effective and trouble-free implementation of your individual application.

Please read these operating instructions before putting your product into operation for the first time. If you have any questions or suggestions, please feel free to contact [info@pfeiffer-vacuum.de](mailto:info@pfeiffer-vacuum.de).

Further operating instructions from Pfeiffer Vacuum can be found in the [Download Center](#) on our website.

## Disclaimer of liability

These operating instructions describe all models and variants of your product. Note that your product may not be equipped with all features described in this document. Pfeiffer Vacuum constantly adapts its products to the latest state of the art without prior notice. Please take into account that online operating instructions can deviate from the printed operating instructions supplied with your product.

Furthermore, Pfeiffer Vacuum assumes no responsibility or liability for damage resulting from the use of the product that contradicts its proper use or is explicitly defined as foreseeable misuse.

## Copyright

This document is the intellectual property of Pfeiffer Vacuum and all contents of this document are protected by copyright. They may not be copied, altered, reproduced or published without the prior written permission of Pfeiffer Vacuum.

We reserve the right to make changes to the technical data and information in this document.



# Table of contents

<b>1</b>	<b>About this manual</b>	<b>7</b>
1.1	Validity	7
	1.1.1 Applicable documents	7
	1.1.2 Variants	7
1.2	Target group	7
1.3	Conventions	8
	1.3.1 Instructions in the text	8
	1.3.2 Pictographs	8
	1.3.3 Stickers on the product	8
	1.3.4 Abbreviations	8
1.4	Trademark proof	9
<b>2</b>	<b>Safety</b>	<b>10</b>
2.1	General safety information	10
2.2	Safety instructions	10
2.3	Safety precautions	12
2.4	Proper use	12
2.5	Foreseeable improper use	13
2.6	Responsibilities and warranty	13
2.7	Owner requirements	13
2.8	Personnel qualification	13
	2.8.1 Ensuring personnel qualification	13
	2.8.2 Personnel qualification for maintenance and repair	14
	2.8.3 Advanced training with Pfeiffer Vacuum	14
2.9	Operator requirements	14
<b>3</b>	<b>Product description</b>	<b>15</b>
3.1	Function	15
3.2	Status display	15
3.3	Identifying the product	15
3.4	Scope of delivery	15
<b>4</b>	<b>Transport and storage</b>	<b>16</b>
4.1	Transporting the product	16
4.2	Storing the product	16
<b>5</b>	<b>Installation</b>	<b>17</b>
5.1	Establishing the vacuum connection	17
5.2	Establishing the electric connection	18
<b>6</b>	<b>Operation</b>	<b>21</b>
6.1	Converting measuring signal and pressure	21
6.2	Ascertaining effective pressure with calibration factors	22
<b>7</b>	<b>Disassembly</b>	<b>24</b>
<b>8</b>	<b>Maintenance</b>	<b>26</b>
8.1	Calibrating the gauge	26
8.2	Cleaning of components	27
8.3	Disassembling the gauge	28
8.4	Assembling the gauge	29
<b>9</b>	<b>Malfunctions</b>	<b>31</b>
9.1	Troubleshooting	31
9.2	Detecting errors on the measurement system	31
<b>10</b>	<b>Shipping</b>	<b>33</b>

<b>11</b>	<b>Recycling and disposal</b>	<b>34</b>
	11.1 General disposal information	34
	11.2 Dispose of gauges	34
<b>12</b>	<b>Service solutions by Pfeiffer Vacuum</b>	<b>35</b>
<b>13</b>	<b>Spare parts</b>	<b>37</b>
<b>14</b>	<b>Accessories</b>	<b>38</b>
	14.1 Accessory information	38
	14.2 Ordering accessories	38
<b>15</b>	<b>Technical data and dimensions</b>	<b>39</b>
	15.1 General	39
	15.2 Technical data	39
	15.3 Dimensions	41
	<b>ETL certification</b>	<b>42</b>
	<b>Declaration of conformity</b>	<b>43</b>



## List of tables

Tbl. 1:	Applicable documents	7
Tbl. 2:	Variants	7
Tbl. 3:	Abbreviations used	9
Tbl. 4:	LED "Status"	15
Tbl. 5:	Constants for converting measuring signal and pressure	21
Tbl. 6:	Gas type dependence	23
Tbl. 7:	Calibration factors for the Pirani pressure range < 1 hPa	23
Tbl. 8:	Malfunctions	31
Tbl. 9:	Measurement	32
Tbl. 10:	Conversion table: Pressure units	39
Tbl. 11:	Conversion table: Units for gas throughput	39
Tbl. 12:	Measured and pressure values	39
Tbl. 13:	Electrical data	40
Tbl. 14:	Internal volume and weight	40
Tbl. 15:	Ambient conditions	40
Tbl. 16:	Temperatures	40
Tbl. 17:	Substances in contact with the media	41



## List of figures

Fig. 1:	Light emitting diode	15
Fig. 2:	Establishing the vacuum connection	18
Fig. 3:	Connection diagram	19
Fig. 4:	Measurement cable and Hirschmann cable socket	19
Fig. 5:	Relation between measuring signal and pressure	21
Fig. 6:	Gas type dependence	22
Fig. 7:	Disassembling the gauge	25
Fig. 8:	Calibrating the gauge	27
Fig. 9:	Disassembling the gauge	29
Fig. 10:	Assembling the gauge	30
Fig. 11:	Contact pins of the measurement system	32
Fig. 12:	Dimensions	41



# 1 About this manual



## IMPORTANT

Read carefully before use.  
Keep the manual for future consultation.

## 1.1 Validity

This document describes the function of the products listed in the following and provides the most important information for safe use. The description is written in accordance with the valid directives. The information in this document refers to the current development status of the products. The document retains its validity assuming that the customer does not make any changes to the product.

### 1.1.1 Applicable documents

Designation	Document
Operating instructions "Total pressure measuring and control unit" TPG 361   TPG 362	BG 5500
Operating instructions "Total pressure measuring and control unit" TPG 366	BG 5501
Declaration of conformity	(Component of these instructions)

**Tbl. 1: Applicable documents**

You can find these documents in the [Pfeiffer Vacuum Download Center](#).

### 1.1.2 Variants

This document applies to products with the following part numbers:

Part number	Designation
PT R26 855	PCR 280 (DN 16 ISO-KF)
PT R26 856	PCR 280 (DN 16 CF-F)

**Tbl. 2: Variants**

You can find the part number on the rating plate of the product.

Pfeiffer Vacuum reserves the right to make technical changes without prior notification.

Information that relates to only one of the products is indicated accordingly.

The figures in this document are not to scale.

The figures show the product with a DN 16 ISO-KF vacuum connection, however, they also apply to the other vacuum connection.

Dimensions are in mm unless stated otherwise.

## 1.2 Target group

These operating instructions are aimed at all persons performing the following activities on the product:

- Transportation
- Setup (Installation)
- Usage and operation
- Decommissioning
- Maintenance and cleaning
- Storage or disposal

The work described in this document is only permitted to be performed by persons with the appropriate technical qualifications (expert personnel) or who have received the relevant training from Pfeiffer Vacuum.

## 1.3 Conventions

### 1.3.1 Instructions in the text

Usage instructions in the document follow a general structure that is complete in itself. The required action is indicated by an individual step or multi-part action steps.

#### Individual action step

A horizontal, solid triangle indicates the only step in an action.

- ▶ This is an individual action step.

#### Sequence of multi-part action steps

The numerical list indicates an action with multiple necessary steps.

1. Step 1
2. Step 2
3. ...

### 1.3.2 Pictographs

The pictographs used in the document indicate useful information.



Note



Tip



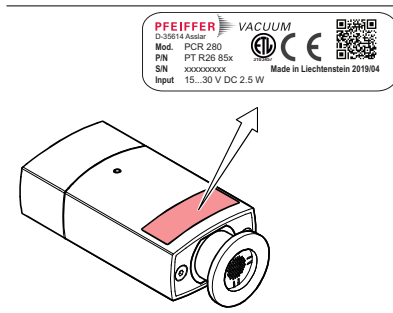
Wear laboratory gloves



Perform a visual inspection

### 1.3.3 Stickers on the product

This section describes all the stickers on the product along with their meaning.



#### Rating plate

The rating plate is located on the back of the device.

### 1.3.4 Abbreviations

Abbreviation	Explanation
ADJ	Adjust
ATM	Atmosphere
c	Constant for converting measuring signal and pressure
C	Calibration factor for calculating the pressure for gases other than air
HV	High vacuum
LPS	Limited power source
MSL	Mean sea level
p	Pressure





---

Abbreviation	Explanation
ST	Status
WAF	width across flats
U	Measuring signal [V] (output voltage)

Tbl. 3: Abbreviations used

## 1.4 Trademark proof

- Hirschmann® is a trademark of Hirschmann Electronics GmbH.

## 2 Safety

### 2.1 General safety information

The following 4 risk levels and 1 information level are taken into account in this document.

<b>⚠ DANGER</b>
<p><b>Immediately pending danger</b>                  Indicates an immediately pending danger that will result in death or serious injury if not observed.</p> <ul style="list-style-type: none"> <li>▶ Instructions to avoid the danger situation</li> </ul>

<b>⚠ WARNING</b>
<p><b>Potential pending danger</b>                  Indicates a pending danger that could result in death or serious injury if not observed.</p> <ul style="list-style-type: none"> <li>▶ Instructions to avoid the danger situation</li> </ul>

<b>⚠ CAUTION</b>
<p><b>Potential pending danger</b>                  Indicates a pending danger that could result in minor injuries if not observed.</p> <ul style="list-style-type: none"> <li>▶ Instructions to avoid the danger situation</li> </ul>

<b>NOTICE</b>
<p><b>Danger of damage to property</b>                  Is used to highlight actions that are not associated with personal injury.</p> <ul style="list-style-type: none"> <li>▶ Instructions to avoid damage to property</li> </ul>

<b>i</b>	<p>Notes, tips or examples indicate important information about the product or about this document.</p>
----------	---

### 2.2 Safety instructions

<b>i</b>	<p><b>Safety instructions according to product's life stages</b>                  All safety instructions in this document are based on the results of a risk assessment. Pfeiffer Vacuum has taken into account all the relevant life stages of the product.</p>
----------	---

#### Risks during installation

<b>⚠ DANGER</b>
<p><b>Risk to life due to electric shock</b>                  An improperly earthed product is potentially fatal in the event of a fault.</p> <ul style="list-style-type: none"> <li>▶ Connect the product galvanically with the earthed vacuum chamber.</li> <li>▶ Ensure that the connection complies with the requirements of a protective bonding according to EN 61010. (CF and VCR connections comply with this requirement.)</li> <li>▶ Use electrically conductive centering rings and circlips for KF connections.</li> </ul>



**⚠ DANGER****Danger to life due to dangerous contact voltage**

Voltages above 30 V (AC) or 60 V (DC) are considered dangerous in accordance with EN 61010. If you come into contact with dangerous contact voltage, this can result in injury through electric shocks or even death.

- ▶ Only connect the product to devices which meet the following criteria:
  - Requirements of the earthed protective extra-low voltage (PELV)
  - Limited power source (LPS) Class 2
- ▶ Secure the line to the product.
  - Pfeiffer Vacuum measuring and control equipment complies with this requirement.

**⚠ WARNING****Risk of injury resulting from overpressure in the vacuum system**

Opening tensioning pieces with an overpressure > 1000 hPa in the vacuum system can lead to injuries as a result of flying parts, and escaping process medium could prove harmful to health.

Elastomer seals in KF connections (e.g. O-rings) are not resistant to pressures > 2500 hPa. This could prove harmful to health due to escaping process medium.

- ▶ Do not open any tensioning pieces when overpressure is prevalent in the vacuum system.
- ▶ Use suitable tensioning pieces for overpressure.
- ▶ Use tensioning pieces which can only be opened and closed using a tool (e.g. tightening strap-circlip).
- ▶ Use sealing rings with an outer centering ring.

**Risks during maintenance****⚠ DANGER****Electric shocks due to moisture penetrating into the device**

Moisture that has penetrated into the device results in personal injury through electric shocks.

- ▶ Only operate the device in a dry environment.
- ▶ Operate the device away from fluids and humidity sources.
- ▶ Do not switch on the device if fluid has penetrated into it, instead contact Pfeiffer Vacuum Service.
- ▶ Always disconnect the current supply before cleaning the device.

**⚠ WARNING****Health hazard through poisoning from toxic contaminated components or devices**

Toxic process media result in contamination of devices or parts of them. During maintenance work, there is a risk to health from contact with these poisonous substances. Illegal disposal of toxic substances causes environmental damage.

- ▶ Take suitable safety precautions and prevent health hazards or environmental pollution by toxic process media.
- ▶ Decontaminate affected parts before carrying out maintenance work.
- ▶ Wear protective equipment.

**Risks when shipping****⚠ WARNING****Risk of poisoning from contaminated products**

Where products that contain harmful substances are shipped for maintenance or repair purposes, the safety of service personnel is at risk.

- ▶ Comply with the instructions for safe shipping.



## Risks during disposal

**⚠ WARNING****Health hazard through poisoning from toxic contaminated components or devices**

Toxic process media result in contamination of devices or parts of them. During maintenance work, there is a risk to health from contact with these poisonous substances. Illegal disposal of toxic substances causes environmental damage.

- ▶ Take suitable safety precautions and prevent health hazards or environmental pollution by toxic process media.
- ▶ Decontaminate affected parts before carrying out maintenance work.
- ▶ Wear protective equipment.

## 2.3 Safety precautions

The product is designed according to the latest technology and recognized safety engineering rules. Nevertheless, improper use can result in danger to operator all third party life and limb, and product damage and additional property damage.

**Duty to provide information on potential dangers**

The product holder or user is obliged to make all operating personnel aware of dangers posed by this product.

Every person who is involved in the installation, operation or maintenance of the product must read, understand and adhere to the safety-related parts of this document.

**Infringement of conformity due to modifications to the product**

The Declaration of Conformity from the manufacturer is no longer valid if the operator changes the original product or installs additional equipment.

- Following the installation into a system, the operator is required to check and re-evaluate the conformity of the overall system in the context of the relevant European Directives, before commissioning that system.

**General safety precautions when handling the product**

- ▶ Observe all applicable safety and accident prevention regulations.
- ▶ Check that all safety measures are observed at regular intervals.
- ▶ Pass on safety instructions to all other users.
- ▶ Do not expose body parts to the vacuum.
- ▶ Always ensure a secure connection to the earthed conductor (PE).
- ▶ Never disconnect plug connections during operation.
- ▶ Observe the above shutdown procedures.
- ▶ Keep lines and cables away from hot surfaces (> 70 °C).
- ▶ Do not carry out your own conversions or modifications on the device.
- ▶ Observe the unit protection degree prior to installation or operation in other environments.
- ▶ Provide suitable touch protection, if the surface temperature exceeds 70 °C.
- ▶ Inform yourself about any contamination before starting work.

## 2.4 Proper use

The gauge provides a vacuum measurement of gases within the range of  $5 \times 10^{-5}$  up to 1500 hPa.

**Use the product according to its intended purpose**

- ▶ Operate the gauge with a Pfeiffer Vacuum total pressure measuring and control unit or with an evaluation unit provided by the customer.
- ▶ Install, operate and maintain the gauge exclusively as prescribed in these operating instructions.
- ▶ Observe the application limits prescribed in the technical data.
- ▶ Observe the technical data.



## 2.5 Foreseeable improper use

Improper use of the product invalidates all warranty and liability claims. Any use that is counter to the purpose of the product, whether intentional or unintentional, is regarded as misuse, in particular:

- Use outside the mechanical and electrical application limits
- Use with corrosive or explosive media, if this is not explicitly permitted
- Use for the measurement of highly flammable or combustible gases mixed with an oxidizing agent (e.g. atmospheric oxygen) within the explosion limits
- Use outdoors
- Use after technical changes (on the inside or the outside of the product)
- Use with replacement or accessory parts that are unsuitable or are not approved

## 2.6 Responsibilities and warranty

Pfeiffer Vacuum shall assume no responsibilities and warranty if the operating company or a third party:

- disregards this document
- does not use the product for its intended purpose
- carries out any modifications to the product (conversions, changes, etc.) that are not listed in the corresponding product documentation
- operates the product with accessories that are not listed in the corresponding product documentation

The operator is responsible for the process media used.

## 2.7 Owner requirements

### Safety-conscious working

1. Only operate the product in a technically flawless state.
2. Operate the product in line with its intended purpose, safety and hazard-conscious and only in compliance with these operating instructions.
3. Fulfill the following instructions and monitor the observation of the following instructions:
  - Proper use
  - Generally applicable safety instructions and accident prevention regulations
  - International, national and locally applicable standards and guidelines
  - Additional product-related guidelines and regulations
4. Only use original parts or parts approved by Pfeiffer Vacuum.
5. Keep the operating instructions available at the place of installation.
6. Ensure personnel qualification.

## 2.8 Personnel qualification

The work described in this document may only be carried out by persons who have appropriate professional qualifications and the necessary experience or who have completed the necessary training as provided by Pfeiffer Vacuum.

### Training people

1. Train the technical personnel on the product.
2. Only let personnel to be trained work with and on the product when under the supervision of trained personnel.
3. Only allow trained technical personnel to work with the product.
4. Before starting work, make sure that the commissioned personnel have read and understood these operating instructions and all applicable documents, in particular the safety, maintenance and repair information.

### 2.8.1 Ensuring personnel qualification

#### Specialist for mechanical work

Only a trained specialist may carry out mechanical work. Within the meaning of this document, specialists are people responsible for construction, mechanical installation, troubleshooting and maintenance of the product, and who have the following qualifications:

- Qualification in the mechanical field in accordance with nationally applicable regulations
- Knowledge of this documentation

**Specialist for electrotechnical work**

Only a trained electrician may carry out electrical engineering work. Within the meaning of this document, electricians are people responsible for electrical installation, commissioning, troubleshooting, and maintenance of the product, and who have the following qualifications:

- Qualification in the electrical engineering field in accordance with nationally applicable regulations
- Knowledge of this documentation

In addition, these individuals must be familiar with applicable safety regulations and laws, as well as the other standards, guidelines, and laws referred to in this documentation. The above individuals must have an explicitly granted operational authorization to commission, program, configure, mark, and earth devices, systems, and circuits in accordance with safety technology standards.

**Trained individuals**

Only adequately trained individuals may carry out all works in other transport, storage, operation and disposal fields. Such training must ensure that individuals are capable of carrying out the required activities and work steps safely and properly.

**2.8.2 Personnel qualification for maintenance and repair**



**Advanced training courses**

Pfeiffer Vacuum offers advanced training courses to maintenance levels 2 and 3.

Adequately trained individuals are:

- **Maintenance level 1**
  - Customer (trained specialist)
- **Maintenance level 2**
  - Customer with technical education
  - Pfeiffer Vacuum service technician
- **Maintenance level 3**
  - Customer with Pfeiffer Vacuum service training
  - Pfeiffer Vacuum service technician

**2.8.3 Advanced training with Pfeiffer Vacuum**

For optimal and trouble-free use of this product, Pfeiffer Vacuum offers a comprehensive range of courses and technical trainings.

For more information, please contact [Pfeiffer Vacuum technical training](#).

**2.9 Operator requirements**

**Observing relevant documents and data**

1. Read, observe and follow this operating instruction and the work instructions prepared by the operating company, in particular the safety and warning instructions.
2. Install, operate and maintain the product only in accordance with these operating instructions.
3. Carry out all work only on the basis of the complete operating instructions and applicable documents.
4. Comply with the application limits.
5. Observe the technical data.
6. Please contact the Pfeiffer Vacuum Service Center if your questions on operation or maintenance of the product are not answered by these operating instructions.
  - You can find information in the [Pfeiffer Vacuum service area](#).



## 3 Product description

### 3.1 Function

The gauge has a Pirani sensor and a capacitive diaphragm sensor. Both sensors are always active. For low pressures, the unit only uses the signal from the Pirani sensor for the pressure measurement. For high pressures, the unit only uses the signal of the capacitive diaphragm sensor. In a mixed range, the unit weights both signals proportional to the pressure and determines the output signal on this basis.

### 3.2 Status display

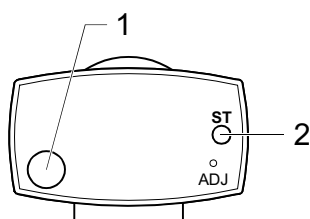


Fig. 1: Light emitting diode

- 1 For factory setting only      2 LED "Status" (ST)

Condition	Meaning
Off	No power supply
Lights up green	Measuring mode
Lights up or flashes red	Error

Tbl. 4: LED "Status"

### 3.3 Identifying the product

You will need all the data from the rating plate to safely identify the product when communicating with Pfeiffer Vacuum.

1. Read the data on the product rating plate.
2. Record this data.
3. Always have all rating plate specifications to hand.

### 3.4 Scope of delivery

The shipment includes the following parts:

- Gauge
- Stylus (Ø 1.1 mm)
- Operating instructions

#### Unpacking the product and checking completeness of the shipment

1. Unpack the product.
2. Remove the transport fasteners, transport protection etc.
3. Store the transport fasteners, transport protection etc. in a safe place.
4. Check that the shipment is complete.
5. Ensure that no parts are damaged.

## 4 Transport and storage

### 4.1 Transporting the product

#### NOTICE

##### Damage caused by incorrect transportation

Transportation in unsuitable packaging, or failure to install all transport locks, can damage the product.

- ▶ Comply with the instructions for safe transportation.



##### Packing

We recommend keeping the transport packaging and original protective cover.

##### General information regarding safe transport

- ▶ Observe the weight specified on the transport packaging.
- ▶ Where possible, always transport or ship the product in the original transport packaging.
- ▶ Always use dense and impact-proof transport packaging for the product.
- ▶ Remove the existing protective cover and transport protections only immediately prior to installation.
- ▶ Reattach transport locks and transport protections prior to each transport.

### 4.2 Storing the product

#### NOTICE

##### Damage caused by improper storage

Improper storage will lead to damage to the product.

Static charging, moisture, etc. lead to defects on the electronic components.

- ▶ Comply with the instructions for safe storage.



##### Packing

We recommend storing the product in its original packaging.

##### General information for safe storage

- ▶ Store the product in a cool, dry, dust-free place, where it is protected against impacts and mechanical vibration.
- ▶ Always use dense and impact-proof packaging for the product.
- ▶ Where possible, store the product in its original packaging.
- ▶ Store electronic components in antistatic packaging.
- ▶ Maintain the permissible storage temperature.
- ▶ Avoid extreme fluctuations of the ambient temperature.
- ▶ Avoid high air humidity.
- ▶ Seal connections with the original protective caps.
- ▶ Protect the product with the original transport protection (where available).





## 5 Installation

### 5.1 Establishing the vacuum connection

#### **⚠ DANGER**

##### **Risk to life due to electric shock**

An improperly earthed product is potentially fatal in the event of a fault.

- ▶ Connect the product galvanically with the earthed vacuum chamber.
- ▶ Ensure that the connection complies with the requirements of a protective bonding according to EN 61010. (CF and VCR connections comply with this requirement.)
- ▶ Use electrically conductive centering rings and circlips for KF connections.

#### **⚠ WARNING**

##### **Risk of injury resulting from overpressure in the vacuum system**

Opening tensioning pieces with an overpressure  $> 1000 \text{ hPa}$  in the vacuum system can lead to injuries as a result of flying parts, and escaping process medium could prove harmful to health.

Elastomer seals in KF connections (e.g. O-rings) are not resistant to pressures  $> 2500 \text{ hPa}$ . This could prove harmful to health due to escaping process medium.

- ▶ Do not open any tensioning pieces when overpressure is prevalent in the vacuum system.
- ▶ Use suitable tensioning pieces for overpressure.
- ▶ Use tensioning pieces which can only be opened and closed using a tool (e.g. tightening strap-circlip).
- ▶ Use sealing rings with an outer centering ring.

#### **NOTICE**

##### **Impairment from contamination and damage**

Touching the devices or components with bare hands increases the desorption rate and leads to incorrect measurements. Dirt (e.g. dust, fingerprints, etc.) and damage impair the function.

- ▶ When working on high or ultra high vacuum systems, always wear clean, lint-free and powder-free laboratory gloves.
- ▶ Only use clean tools.
- ▶ Make sure that the connection flanges are free of grease.
- ▶ Remove protective caps and protective covers from flanges and connections only when necessary.
- ▶ Carry out all work in a well lit area.

#### **NOTICE**

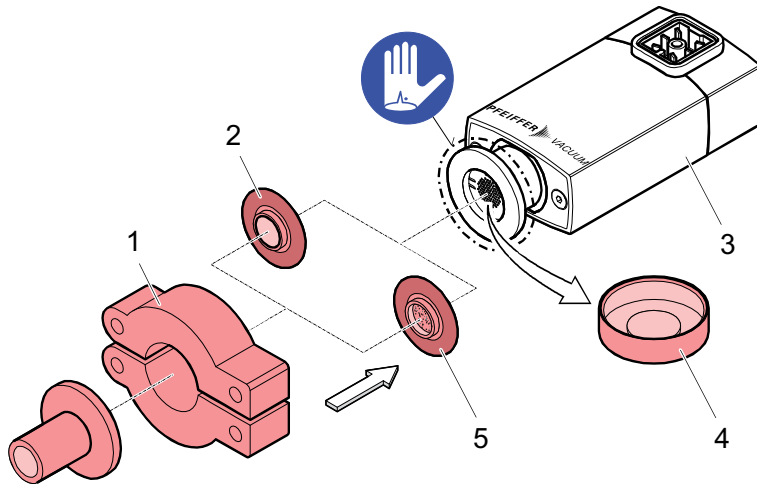
##### **Damage caused by vibrations**

Vibrations and strikes destroy the ceramic sensor, which is sensitive to shocks.

- ▶ Treat the gauge carefully.
- ▶ Avoid vibrations and strikes.
- ▶ Do not drop the gauge.

#### **Prerequisites**

- Appropriate ambient conditions
- Operating temperature within permissible range
- Adequate room available for electrical connection (e.g. permissible bending radii for cables)



**Fig. 2: Establishing the vacuum connection**

- |                            |                                       |
|----------------------------|---------------------------------------|
| 1 Tensioning piece         | 4 Protective cap                      |
| 2 Seal with centering ring | 5 Seal with centering ring and filter |
| 3 Electronic unit          |                                       |

**Procedure**

1. Ensure where possible that the gauge is not exposed to any vibrations during operation, as vibrations in general will lead to deviations in the measured values.
2. Recommendation: Assemble the gauge in a horizontal to upright position (flange at the bottom) in order to prevent any condensate or particles entering the measuring chamber.
3. Ensure that the button of the gauge can be easily accessed with the stylus once fitted.
4. Recommendation: Fit a seal with centering ring and filter for applications susceptible to pollution and to protect the measuring system against contamination.
5. Remove the protective cap and store in a safe place.
6. Assemble the gauge with vacuum components from the [Pfeiffer Vacuum Components Shop](#) on the vacuum system.

## 5.2 Establishing the electric connection

**⚠ DANGER**

**Danger to life due to dangerous contact voltage**

Voltages above 30 V (AC) or 60 V (DC) are considered dangerous in accordance with EN 61010. If you come into contact with dangerous contact voltage, this can result in injury through electric shocks or even death.

- ▶ Only connect the product to devices which meet the following criteria:
  - Requirements of the earthed protective extra-low voltage (PELV)
  - Limited power source (LPS) Class 2
- ▶ Secure the line to the product.
  - Pfeiffer Vacuum measuring and control equipment complies with this requirement.

**NOTICE**

**Damage sustained as a result of improper connection**

Improper connection, incorrect polarity or impermissible supply voltage will damage the gauge.

- ▶ Always connect the supply earth (Pin 5) with the earth for the supply unit.
- ▶ Always connect the shielding (Pin 6) with the earth for the supply unit.

**Required tools**

- Crosshead screwdriver
- Torque wrench ( $\leq 0.2$  Nm)

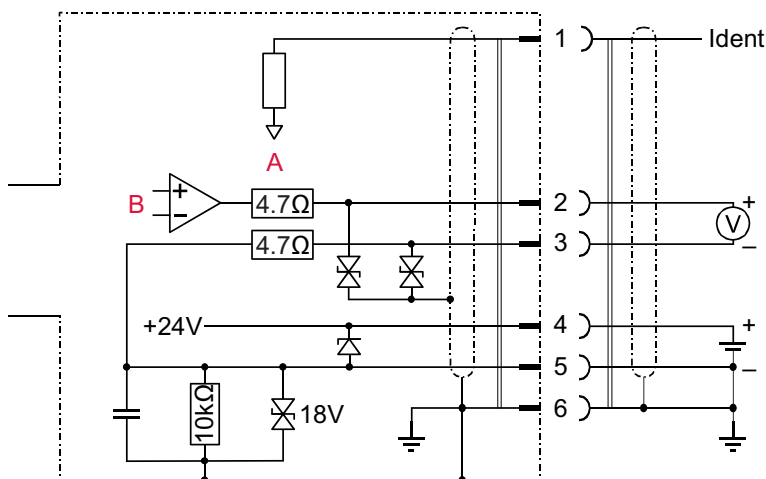


**Required materials**

- Measurement cable for a Pfeiffer vacuum total pressure measuring and control unit from the ActiveLine accessories range
- Self-fabricated measurement cable for an evaluation unit provided by the customer
- Hirschmann cable socket

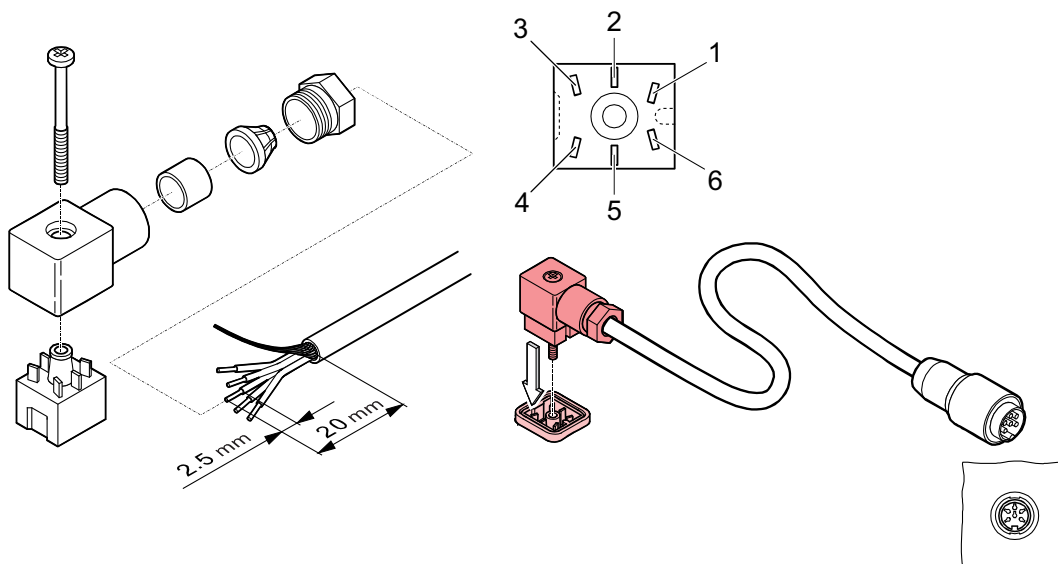
**Establishing the electric connection**

1. Connect the measurement cable to the gauge.
2. Tighten the locking screw on the Hirschmann cable socket.
  - Tightening torque:  $\leq 0.2 \text{ Nm}$
3. Connect the gauge to a Pfeiffer Vacuum total pressure measuring and control unit, or to an evaluation unit provided by the customer.



**Fig. 3: Connection diagram**

- |                    |                        |
|--------------------|------------------------|
| A Supply earth     | 3 Signal earth         |
| B Measuring signal | 4 Supply               |
| 1 Identification   | 5 Supply earth (GND)   |
| 2 Measuring signal | 6 Screening, shielding |



**Fig. 4: Measurement cable and Hirschmann cable socket**

**Manufacturing a measurement cable**

You can find additional information regarding measurement cable type and conductor cross-sections in the technical data.

1. Observe the following steps to ensure optimum signal quality, whereby ground loops, differences in potential or EMC will influence the measuring signal.
2. Use a cable with braided shield.

3. Connect the supply earth directly with the protective earth for power supply pack.
4. Use a differential measuring input and separate signal earth and supply earth.
5. Ensure that the potential difference for surge protection between supply earth and housing is  $\leq 6 \text{ V}$ .
6. Assemble the Hirschmann cable socket.

### **Assembling the Hirschmann cable socket**

1. Prepare the Hirschmann cable socket as shown in the "Measurement cable and Hirschmann cable socket" diagram.
2. Solder in the connection cable as prescribed in the terminal connection diagram.
3. Assemble the Hirschmann cable socket.



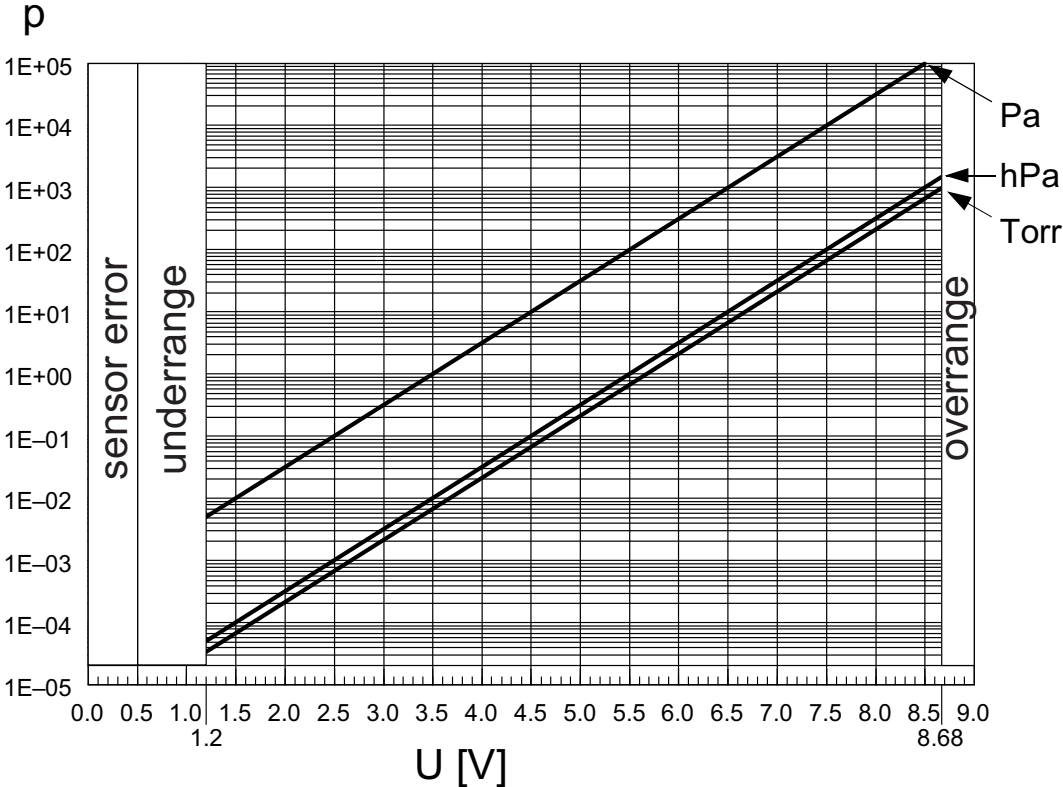
# 6 Operation

Once the supply voltage has been established, the measuring signal is available at the electrical connection between pins 2 and 3.

**Recommendations**

- ▶ Respect the minimum stabilization period of 10 minutes.
- ▶ Respect the relation between measuring signal and pressure.
- ▶ Leave the gauge switched on at all times, regardless of the prevalent pressure.

## 6.1 Converting measuring signal and pressure



**Fig. 5: Relation between measuring signal and pressure**

p Pressure                      U Measuring signal [V] (output voltage)

Measuring signal (U)	Pressure (p)	Constant (c) <sup>1)</sup>
[V]	[hPa]	5.5
	[mbar]	
	[Torr]	5.625
	[micron]	2.625
	[Pa]	3.5

**Tbl. 5: Constants for converting measuring signal and pressure**

1) Dependent upon unit of pressure

**Converting measuring signal and pressure**

**Validity range:**  $5 \times 10^{-5} \text{ hPa} < p < 1500 \text{ hPa}$

► Observe the constants for converting measuring signal and pressure.

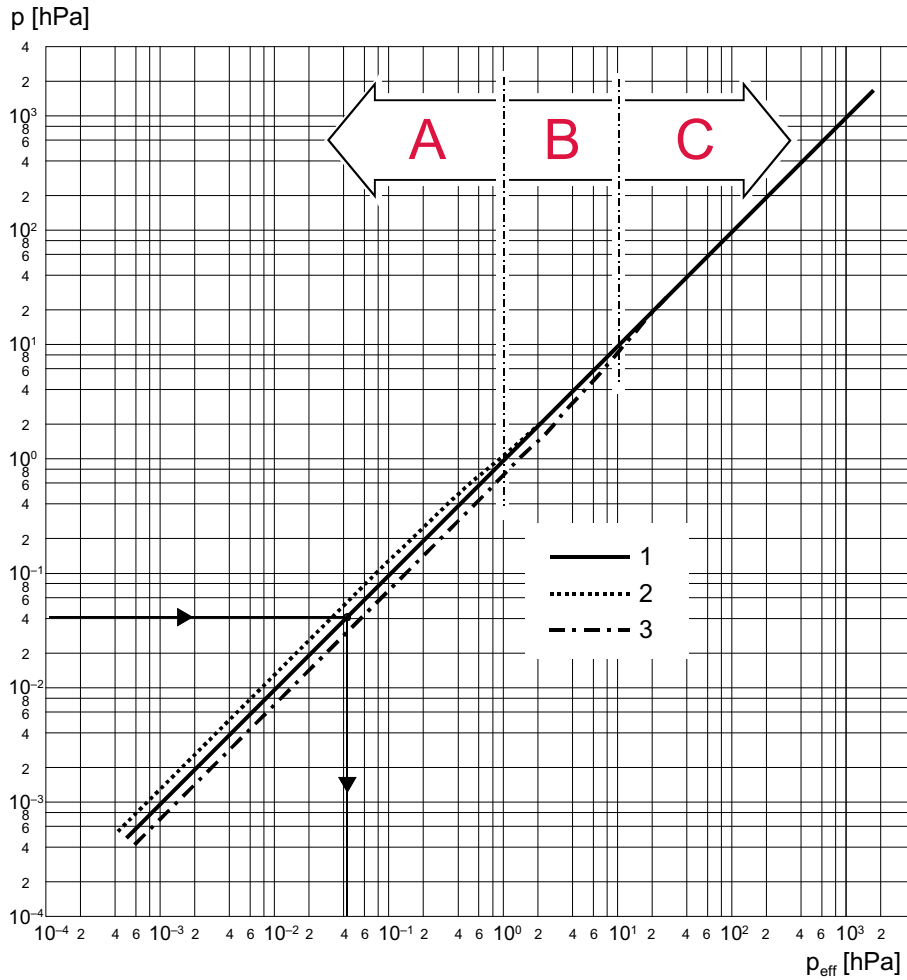
► Convert measuring signal into pressure:

$$p = 10^{(U - c)}$$

► Convert pressure into measuring signal:

$$U = c + \log_{10} p$$

**6.2 Ascertaining effective pressure with calibration factors**



**Fig. 6: Gas type dependence**

- |                               |   |
|-------------------------------|---|
| A Pirani sensor               | 1 Air, oxygen (O <sub>2</sub> ), carbon monoxide (CO), nitrogen (N <sub>2</sub> ) |
| B Mixed range                 | 2 Helium (He)   |
| C Capacitive diaphragm sensor | 3 Argon (Ar)  |



Pressure range	Measuring principle	Gas type dependence
10 to 1500 hPa	Capacitive diaphragm sensor	gas type-independent, no correction required
1 to 10 hPa	Capacitive diaphragm sensor and Pirani sensor	Mixed range
$5 \times 10^{-5}$ up to 1 hPa	Pirani sensor	proportional to pressure <sup>2)</sup>

**Tbl. 6: Gas type dependence**

#### Calibration factors

Gas type	Calibration factor (C)
Air, oxygen (O <sub>2</sub> ), carbon monoxide (CO), nitrogen (N <sub>2</sub> )	1.0
Hydrogen (H <sub>2</sub> )	0.5
Carbon dioxide (CO <sub>2</sub> )	0.9
Water vapor	0.5
Helium (He)	0.8
Neon (Ne)	1.4
Argon (Ar)	1.7
Krypton (Kr)	2.4
Xenon (Xe)	3.0
Freon 12	0.7

The calibration factors provided are mean values.

**Tbl. 7: Calibration factors for the Pirani pressure range < 1 hPa**

#### Entering the calibration factor in a total pressure measuring and control unit

- ▶ Enter the calibration factor to correct the displayed measured value.

#### Calculating pressure for gases other than air

- ▶ Calculate the effective pressure using the following formula:

$$P_{\text{eff}} = C \times p$$

- $P_{\text{eff}}$  = Effective pressure
- $C$  = Calibration factor
- $p$  = Displayed pressure (gauge calibrated for air)

2) The displayed measured value applies to dry air, oxygen (O<sub>2</sub>), carbon monoxide (CO) and nitrogen (N<sub>2</sub>). For other gases, you need the calibration factors to convert the measured value.



## 7 Disassembly

### **⚠ DANGER**

#### **Risk to life due to electric shock**

An improperly earthed product is potentially fatal in the event of a fault.

- ▶ Connect the product galvanically with the earthed vacuum chamber.
- ▶ Ensure that the connection complies with the requirements of a protective bonding according to EN 61010. (CF and VCR connections comply with this requirement.)
- ▶ Use electrically conductive centering rings and circlips for KF connections.

### **⚠ WARNING**

#### **Health hazard through poisoning from toxic contaminated components or devices**

Toxic process media result in contamination of devices or parts of them. During maintenance work, there is a risk to health from contact with these poisonous substances. Illegal disposal of toxic substances causes environmental damage.

- ▶ Take suitable safety precautions and prevent health hazards or environmental pollution by toxic process media.
- ▶ Decontaminate affected parts before carrying out maintenance work.
- ▶ Wear protective equipment.

### **⚠ WARNING**

#### **Risk of injury resulting from overpressure in the vacuum system**

Opening tensioning pieces with an overpressure > **1000 hPa** in the vacuum system can lead to injuries as a result of flying parts, and escaping process medium could prove harmful to health.

Elastomer seals in KF connections (e.g. O-rings) are not resistant to pressures > **2500 hPa**. This could prove harmful to health due to escaping process medium.

- ▶ Do not open any tensioning pieces when overpressure is prevalent in the vacuum system.
- ▶ Use suitable tensioning pieces for overpressure.
- ▶ Use tensioning pieces which can only be opened and closed using a tool (e.g. tightening strap-circlip).
- ▶ Use sealing rings with an outer centering ring.

### **NOTICE**

#### **Impairment from contamination and damage**

Touching the devices or components with bare hands increases the desorption rate and leads to incorrect measurements. Dirt (e.g. dust, fingerprints, etc.) and damage impair the function.

- ▶ When working on high or ultra high vacuum systems, always wear clean, lint-free and powder-free laboratory gloves.
- ▶ Only use clean tools.
- ▶ Make sure that the connection flanges are free of grease.
- ▶ Remove protective caps and protective covers from flanges and connections only when necessary.
- ▶ Carry out all work in a well lit area.

### **NOTICE**

#### **Damage caused by vibrations**

Vibrations and strikes destroy the ceramic sensor, which is sensitive to shocks.

- ▶ Treat the gauge carefully.
- ▶ Avoid vibrations and strikes.
- ▶ Do not drop the gauge.

#### **Prerequisites**

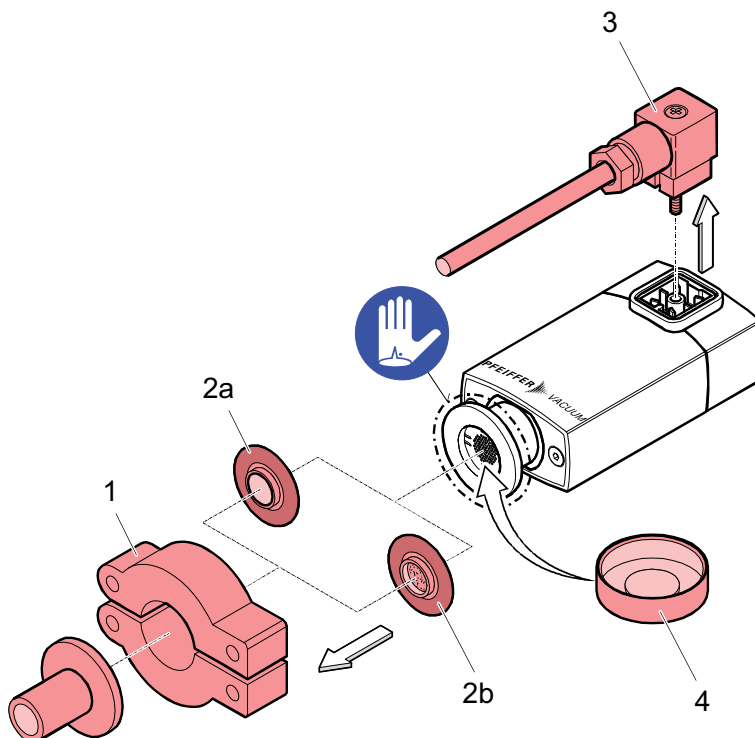
- Vacuum system vented to atmospheric pressure
- Supply voltage switched off





**Required tool**

- Crosshead screwdriver

**Fig. 7: Disassembling the gauge**

- |    |                                     |   |                   |
|----|-------------------------------------|---|-------------------|
| 1  | Tensioning piece                    | 3 | Measurement cable |
| 2a | Seal with centering ring            | 4 | Protective cap    |
| 2b | Seal with centering ring and filter |   |                   |

**Disassembling the gauge**

1. Loosen the locking screw of the Hirschmann cable socket on the gauge.
2. Disconnect the measurement cable from the gauge.
3. Disassemble the gauge from the vacuum system.
4. Fit the protective cap onto the connection flange.



## 8 Maintenance

### WARNING

#### Health hazard through poisoning from toxic contaminated components or devices

Toxic process media result in contamination of devices or parts of them. During maintenance work, there is a risk to health from contact with these poisonous substances. Illegal disposal of toxic substances causes environmental damage.

- ▶ Take suitable safety precautions and prevent health hazards or environmental pollution by toxic process media.
- ▶ Decontaminate affected parts before carrying out maintenance work.
- ▶ Wear protective equipment.



#### Maintenance in the Pfeiffer Vacuum Service Center

Pfeiffer Vacuum offers a complete maintenance service for all products.

Pfeiffer Vacuum recommends: Contact your Pfeiffer Vacuum Service Center to arrange the maintenance of defective products and components.



#### Cleaning in the Pfeiffer Vacuum Service Center

Pfeiffer Vacuum recommends: Contact your nearest Pfeiffer Vacuum Service Center to arrange the cleaning of heavily-soiled products and components.



#### Loss of warranty claims

The following will result in the loss of the warranty:

- Damage to or removal of a closure seal
- Opening the device during the warranty period

Contact the Pfeiffer Vacuum Service Center in the event of process-related shorter maintenance intervals.



#### First read through the sections completely

Read the section with the work instructions through completely first before you commence with work.

Utilization in other climatic conditions, long-term operation, extreme temperatures, a different mounting orientation and aging or contamination can lead to a zero point shift in the Pirani measuring circuit. A zero point shift will necessitate recalibration or cleaning.

### 8.1 Calibrating the gauge

Pfeiffer Vacuum has calibrated the gauge to standard values at the factory.



#### Setting the gauge to other pressure values

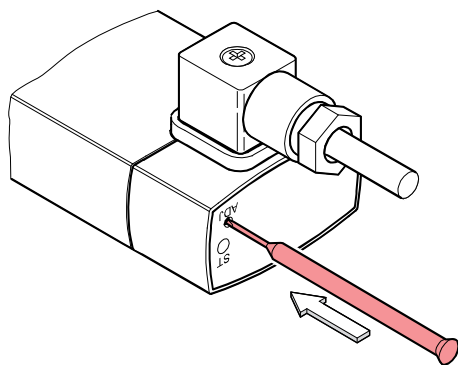
You can set the gauge to other pressure values. However, the precise pressure value (reference measurement) is required in order to do this.

The gauge always performs the calibration on the diaphragm sensor automatically if you operate the gauge for at least 15 minutes with pressures  $< 1 \times 10^{-2}$  hPa.

#### Required tool

- Stylus (max.  $\varnothing$  1.1 mm)





**Fig. 8: Calibrating the gauge**

#### Preparing for calibration

1. Ensure the same installation and ambient conditions as those applicable for normal use.
2. Check the filter for contamination as required.
3. Replace the filter if the filter is contaminated or damaged.
4. Put the gauge into operation.

#### Performing an HV calibration

1. Perform commissioning of the gauge.
2. Evacuate the vacuum system to  $p \ll 10^{-5}$  hPa.
3. Wait for at least 2 minutes.
4. Press the "ADJ" button using a stylus.
  - The gauge calibrates to  $5 \times 10^{-5}$  hPa (standard).
5. Repeat the calibration if the gauge does **not** display a pressure of  $4.99 \times 10^{-5}$  hPa at the measuring signal output.
  - The calibration was not successful this time.

#### Performing an ATM calibration

1. Perform commissioning of the gauge.
2. Operate the gauge for at least 10 minutes at atmospheric pressure.
3. Press the "ADJ" button briefly using a stylus.
  - The gauge calibrates to 1000 hPa (standard).

## 8.2 Cleaning of components

### **⚠ DANGER**

#### Electric shocks due to moisture penetrating into the device

Moisture that has penetrated into the device results in personal injury through electric shocks.

- ▶ Only operate the device in a dry environment.
- ▶ Operate the device away from fluids and humidity sources.
- ▶ Do not switch on the device if fluid has penetrated into it, instead contact Pfeiffer Vacuum Service.
- ▶ Always disconnect the current supply before cleaning the device.

### **⚠ WARNING**

#### Health hazards due to cleaning agent

The cleaning agents used cause health hazards.

- ▶ When handling cleaning agents, observe the applicable regulations.
- ▶ Adhere to safety measures regarding handling and disposal of cleaning agents.
- ▶ Be aware of potential reactions with product materials.



**NOTICE**

**Damage caused by penetrating moisture**

Penetrating moisture, e.g. through condensation or dripping water, damages the device.

- ▶ Protect the device against moisture penetrating.
- ▶ Only operate the device in a clean and dry environment.
- ▶ Operate the device away from fluids and humidity sources.
- ▶ Take special precautions if there is a risk of dripping water.
- ▶ Do not switch on the device if fluid has penetrated into it, instead contact the Pfeiffer Vacuum Service Center.

**NOTICE**

**Damage caused by unsuitable cleaning agents**

Unsuitable cleaning agents damage the product.

- ▶ Do not use solvents as they attack the surface.
- ▶ Do not use any aggressive or abrasive cleaning agents.

**Required consumables**

- Industrial alcohol
- Cloth (soft, lint-free)

**External cleaning of the device**

1. Always use a cloth soaked in industrial alcohol for external cleaning.
2. Allow the surfaces to dry thoroughly after cleaning.

### 8.3 Disassembling the gauge

**NOTICE**

**Impairment from contamination and damage**

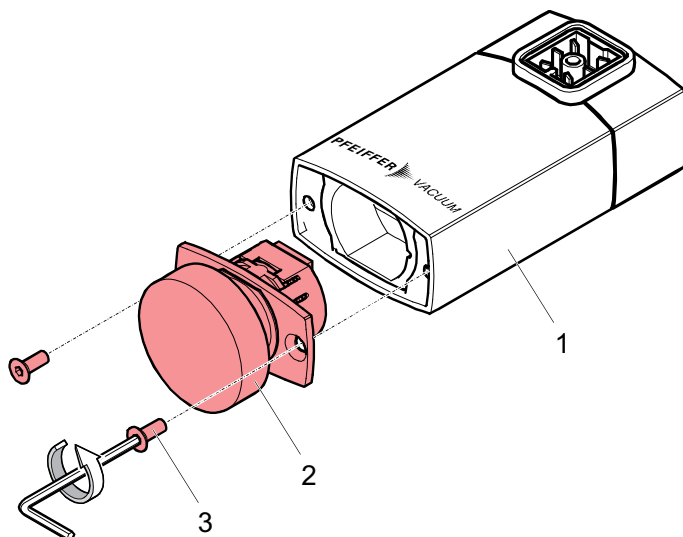
Touching the devices or components with bare hands increases the desorption rate and leads to incorrect measurements. Dirt (e.g. dust, fingerprints, etc.) and damage impair the function.

- ▶ When working on high or ultra high vacuum systems, always wear clean, lint-free and powder-free laboratory gloves.
- ▶ Only use clean tools.
- ▶ Make sure that the connection flanges are free of grease.
- ▶ Remove protective caps and protective covers from flanges and connections only when necessary.
- ▶ Carry out all work in a well lit area.

**Required tool**

- Allen key, **WAF 2**





**Fig. 9: Disassembling the gauge**

- |                      |                                      |
|----------------------|--------------------------------------|
| 1 Electronic unit    | 3 Interior hexagon socket screw (2×) |
| 2 Measurement system |                                      |

#### Procedure

1. Disassemble the gauge from the vacuum system.
2. Unscrew the interior hexagon socket screws from the electronic unit.
3. Remove the measurement system from the electronic unit without any rotary movement.

## 8.4 Assembling the gauge

### NOTICE

#### Impairment from contamination and damage

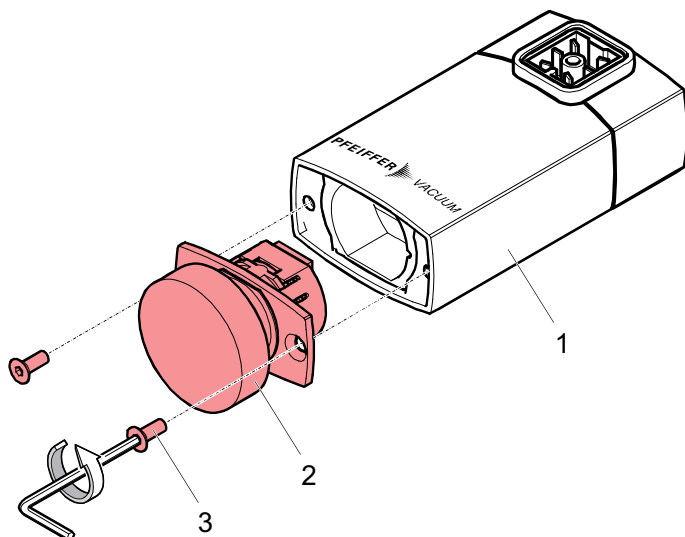
Touching the devices or components with bare hands increases the desorption rate and leads to incorrect measurements. Dirt (e.g. dust, fingerprints, etc.) and damage impair the function.

- ▶ When working on high or ultra high vacuum systems, always wear clean, lint-free and powder-free laboratory gloves.
- ▶ Only use clean tools.
- ▶ Make sure that the connection flanges are free of grease.
- ▶ Remove protective caps and protective covers from flanges and connections only when necessary.
- ▶ Carry out all work in a well lit area.

#### Required tool

- Allen key, **WAF 2**





**Fig. 10: Assembling the gauge**

- |                      |                                      |
|----------------------|--------------------------------------|
| 1 Electronic unit    | 3 Interior hexagon socket screw (2×) |
| 2 Measurement system |                                      |

**Procedure**

1. Insert the measurement system into the electronic unit without any rotary movement.
2. Tighten the interior hexagon socket screws.
3. Connect the gauge to the vacuum system.



## 9 Malfunctions



### Warranty

Malfunctioning of the equipment as a direct result of contamination or wear, as well as wear parts, is not covered by the warranty.



### Rectifying malfunctions (reset)

In the event of a malfunction, Pfeiffer Vacuum recommends disconnecting the supply voltage, and then reconnecting after 5 seconds.

### 9.1 Troubleshooting

Disturbance	Possible cause	Remedy
Continuous measuring signal approx. 0 V	Measurement cable defective or incorrectly connected	Check the measurement cable.
	No supply	Switch the supply on.
LED "ST" lights up red	Gauge in undefined state	Switch the gauge off, wait 5 seconds and then switch it back on (reset).
	Electronic unit not attached to the measurement system correctly	Check the connection.
	Electronic unit and measurement system incompatible	Replace the measurement system.
	Pirani sensor defective	Replace the gauge.
	Diaphragm sensor defective	Replace the gauge.
LED "ST" flashes red	EEPROM error	Switch the gauge off, wait 5 seconds and then switch it back on (reset).
		Replace the gauge.

Tbl. 8: Malfunctions

### 9.2 Detecting errors on the measurement system

If you are fairly certain of the cause of a measurement system malfunction, you can carry out an approximate diagnosis using an ohmmeter. Venting of the vacuum system is not necessary.

#### Prerequisite

- Electronic unit removed

#### Equipment required

- Ohmmeter

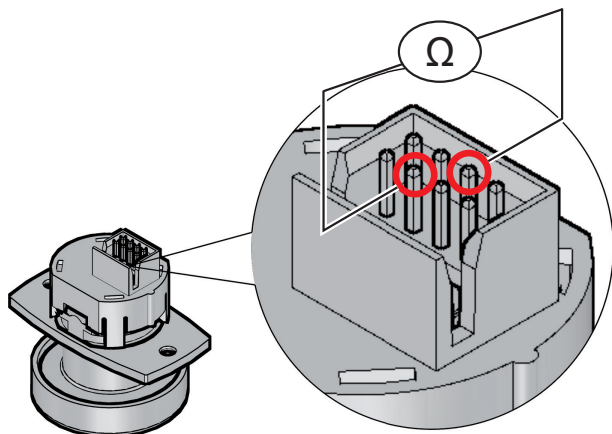


Fig. 11: Contact pins of the measurement system

Setpoint range	Reasons for values being outside of setpoint range
40 ±1 Ω	>> 40 Ω: Pollution
	<< 40 Ω: Pollution
	∞: Filament defective

Tbl. 9: Measurement

**Performing a resistance test**

1. Perform the resistance test at the contact pins of the measurement system using an ohmmeter.
2. Replace the complete measurement system if the measured value is outside of the setpoint range.





## 10 Shipping

### **WARNING**

#### **Risk of poisoning from contaminated products**

Where products that contain harmful substances are shipped for maintenance or repair purposes, the safety of service personnel is at risk.

- ▶ Comply with the instructions for safe shipping.



#### **Decontamination subject to charge**

Pfeiffer Vacuum decontaminates products not clearly declared "Free of contamination" at your expense.

#### **Instructions for safe shipping**

- ▶ Do not ship microbiological, explosive or radioactively contaminated products.
- ▶ Observe the shipping guidelines for the participating countries and transport companies.
- ▶ Highlight any potential dangers on the outside of the packaging.
- ▶ Download the explanation for contamination at [Pfeiffer Vacuum Service](#).
- ▶ Always enclose a completed declaration of contamination.



# 11 Recycling and disposal

## ⚠ WARNING

### Health hazard through poisoning from toxic contaminated components or devices

Toxic process media result in contamination of devices or parts of them. During maintenance work, there is a risk to health from contact with these poisonous substances. Illegal disposal of toxic substances causes environmental damage.

- ▶ Take suitable safety precautions and prevent health hazards or environmental pollution by toxic process media.
- ▶ Decontaminate affected parts before carrying out maintenance work.
- ▶ Wear protective equipment.



### Environmental protection

You **must** dispose of the product and its components in accordance with all applicable regulations for protecting people, the environment and nature.

- Help to reduce the wastage of natural resources.
- Prevent contamination.



### Environmental protection

The product and its components **must be disposed of in accordance with the applicable regulations relating to environmental protection and human health**, with a view to reducing natural resource wastage and preventing pollution.

## 11.1 General disposal information

Pfeiffer Vacuum products contain materials that you must recycle.

- ▶ Dispose of our products according to the following:
  - Iron
  - Aluminium
  - Copper
  - Synthetic
  - Electronic components
  - Oil and fat, solvent-free
- ▶ Observe the special precautionary measures when disposing of:
  - Fluoroelastomers (FKM)
  - Potentially contaminated components that come into contact with media

## 11.2 Dispose of gauges

Pfeiffer Vacuum gauges contain materials that you must recycle.

1. Dismantle the electronic unit.
2. Decontaminate the components that come into contact with process gases.
3. Separate the components into recyclable materials.
4. Recycle the non-contaminated components.
5. Dispose of the product or components in a safe manner according to locally applicable regulations.



## 12 Service solutions by Pfeiffer Vacuum

### We offer first-class service

High vacuum component service life, in combination with low downtime, are clear expectations that you place on us. We meet your needs with efficient products and outstanding service.

We are always focused on perfecting our core competence – servicing of vacuum components. Once you have purchased a product from Pfeiffer Vacuum, our service is far from over. This is often exactly where service begins. Obviously, in proven Pfeiffer Vacuum quality.

Our professional sales and service employees are available to provide you with reliable assistance, worldwide. Pfeiffer Vacuum offers an entire range of services, from [original replacement parts](#) to [service contracts](#).

### Make use of Pfeiffer Vacuum service

Whether preventive, on-site service carried out by our field service, fast replacement with mint condition replacement products, or repair carried out in a [Service Center](#) near you – you have various options for maintaining your equipment availability. You can find more detailed information and addresses on our homepage, in the [Pfeiffer Vacuum Service](#) section.

**You can obtain advice on the optimal solution for you, from your [Pfeiffer Vacuum representative](#).**

**For fast and smooth service process handling, we recommend the following:**



1. Download the up-to-date form templates.
  - [Explanations of service requests](#)
  - [Service requests](#)
  - [Contamination declaration](#)



- a) Remove and store all accessories (all external parts, such as valves, protective screens, etc.).
  - b) If necessary, drain operating fluid/lubricant.
  - c) If necessary, drain coolant.
2. Complete the service request and contamination declaration.



3. Send the forms by email, fax, or post to your local [Service Center](#).



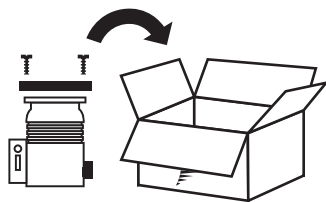
4. You will receive an acknowledgment from Pfeiffer Vacuum.

PFEIFFER VACUUM

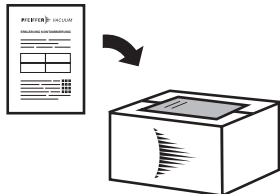
### Submission of contaminated products

No microbiological, explosive, or radiologically contaminated products will be accepted. Where products are contaminated, or the contamination declaration is missing, Pfeiffer Vacuum will contact you before starting service work. Depending on the product and degree of pollution, **additional decontamination costs** may be incurred.

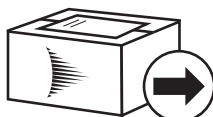




5. Prepare the product for transport in accordance with the provisions in the contamination declaration.
  - a) Neutralize the product with nitrogen or dry air.
  - b) Seal all openings with blind flanges, so that they are airtight.
  - c) Shrink-wrap the product in suitable protective foil.
  - d) Package the product in suitable, stable transport containers only.
  - e) Maintain applicable transport conditions.



6. Attach the contamination declaration to the **outside** of the packaging.



7. Now send your product to your local Service Center.



8. You will receive an acknowledgment/quotation, from Pfeiffer Vacuum.

PFEIFFER VACUUM

Our sales and delivery conditions and repair and maintenance conditions for vacuum devices and components apply to all service orders.



## 13 Spare parts

### Ordering spare parts

- ▶ Have the part number to hand, along with other details from the rating plate as required.
- ▶ Install original spare parts only.

Description	Order number
Replacement measuring system DN 16 ISO-KF	PT 120 041 -T

## 14 Accessories



View the [range of accessories for ActiveLine](#) on our website.

### 14.1 Accessory information

**Measurement cable**

Measurement cable in different lengths for connecting to a Pfeiffer Vacuum total pressure measuring and control unit

**Line connector (Hirschmann plug)**

Cable socket for fabrication of the application-specific connecting cable

**Seals with centering ring and filter**

Filters available in different pore sizes to protect the measuring system against contamination in the event of potential contaminating applications

### 14.2 Ordering accessories

Description	Order number
Measurement Cable, 3 m	PT 448 250 -T
Measurement Cable, 6 m	PT 448 251 -T
Measurement Cable, 10 m	PT 448 252 -T
Mating connector	B4707283MA
Centering ring with sintered metal filter, pore size 4 µm, FPM/stainless steel	PT 120 132 -T



## 15 Technical data and dimensions

### 15.1 General

	mbar	bar	Pa	hPa	kPa	Torr   mm Hg
mbar	1	$1 \cdot 10^{-3}$	100	1	0.1	0.75
bar	1000	1	$1 \cdot 10^5$	1000	100	750
Pa	0.01	$1 \cdot 10^{-5}$	1	0.01	$1 \cdot 10^{-3}$	$7.5 \cdot 10^{-3}$
hPa	1	$1 \cdot 10^{-3}$	100	1	0.1	0.75
kPa	10	0.01	1000	10	1	7.5
Torr   mm Hg	1.33	$1.33 \cdot 10^{-3}$	133.32	1.33	0.133	1

$$1 \text{ Pa} = 1 \text{ N/m}^2$$

**Tbl. 10: Conversion table: Pressure units**

	mbar l/s	Pa m <sup>3</sup> /s	sccm	Torr l/s	atm cm <sup>3</sup> /s
mbar l/s	1	0.1	59.2	0.75	0.987
Pa m <sup>3</sup> /s	10	1	592	7.5	9.87
sccm	$1.69 \cdot 10^{-2}$	$1.69 \cdot 10^{-3}$	1	$1.27 \cdot 10^{-2}$	$1.67 \cdot 10^{-2}$
Torr l/s	1.33	0.133	78.9	1	1.32
atm cm <sup>3</sup> /s	1.01	0.101	59.8	0.76	1

**Tbl. 11: Conversion table: Units for gas throughput**

### 15.2 Technical data

Parameter	Value	
Measuring range	5 × 10 <sup>-5</sup> up to 1500 hPa	
Maximum pressure (absolute)	≤ 500 kPa	
Burst pressure (absolute)	1000 kPa	
Measuring principle	10 hPa up to 1500 hPa	Capacitive diaphragm sensor
	1 up to 10 hPa	Mixed range
	5 × 10 <sup>-5</sup> up to 1 hPa	Heat conduction according to Pirani
Accuracy (N <sub>2</sub> )	5 × 10 <sup>-4</sup> up to 1 × 10 <sup>-3</sup> hPa	±50 % of measured value
	1 × 10 <sup>-3</sup> up to 100 hPa	±15 % of measured value
	100 to 950 hPa	±5 % of measured value
	950 to 1050 hPa	±2.5 % of measured value
Repeatability (N <sub>2</sub> )	1 × 10 <sup>-3</sup> up to 1100 hPa	±2 % of measured value
Gauge calibration (HV)	at < 10 <sup>-5</sup> hPa	
Gauge calibration (ATM)	at > 100 hPa	

**Tbl. 12: Measured and pressure values**

Parameter	Value	
Output signal (measuring signal)	Voltage range	0 to +8.68 V
	Measuring range	+1.2 to +8.68 V
	Error signal	0 V (ex factory)
	Relation voltage-pressure	1 V/decade, logarithmic
Output impedance	2 × 4.7 Ω, short circuit proof	
Load impedance (minimum load)	> 10 kΩ	



Parameter		Value
Response time		< 30 ms
Gauge identification		3.01 k $\Omega$
Supply voltage		Class 2/LPS
	at gauge	+15 to +30 V DC
	Ripple	$\leq 1 V_{pp}$
Power input		$\leq 2.5 W$
Fuse (to be connected in series) <sup>3)</sup>		1 AT
Connection (electrical)		Hirschmann GO 6 UM (6-pin, pins)
Measurement cable		screened, 0.14 mm <sup>2</sup> / conductor
Cable length		$\leq 100 m$
Earthing concept	(see chapter "Establishing the electric connection", page 18)	
	Vacuum connection and signal earth	connected with 10 k $\Omega$

**Tbl. 13: Electrical data**

Parameter		Value
Internal volume	DN 16 ISO-KF	4.7 cm <sup>3</sup>
	DN 16 CF-F	8 cm <sup>3</sup>
Weight		120 g

**Tbl. 14: Internal volume and weight**

Parameter		Value
Relative humidity	Annual average	$\leq 65 \%$ (non-condensing)
	at 60 days	$\leq 85 \%$ (non-condensing)
Mounting orientation		Arbitrary
Use		Only in indoor areas
Installation altitude max.		2000 m MSL
Protection category		IP40

**Tbl. 15: Ambient conditions**

Parameter	Value
Operation	+10 to +50 °C
Vacuum connection <sup>4)</sup>	$\leq 80 \text{ }^{\circ}\text{C}$
Filament <sup>5)</sup>	$\leq 160 \text{ }^{\circ}\text{C}$
Storage	-20 to +65 °C

**Tbl. 16: Temperatures**

Parameter	Value
Vacuum connection	Stainless steel 1.4435
Filament	Tungsten (W)
Vacuum feedthrough	Glass

3) Pfeiffer Vacuum measuring and control equipment complies with this requirement.

4) For horizontal installation. The technical data may deviate in measuring range, accuracy and repeatability for bake-out.

5) Cannot be influenced by the operator





Parameter	Value
Screen	Stainless steel
Diaphragm	Ceramic
Other substances	Ni, NiFe, stainless steel 1.4301, SnAg

Tbl. 17: Substances in contact with the media

### 15.3 Dimensions

Dimensions in mm.

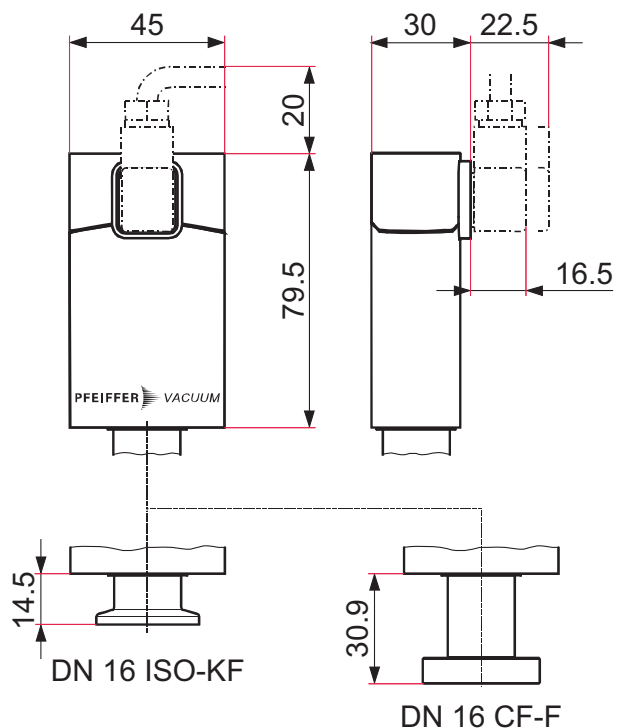


Fig. 12: Dimensions





**Intertek**  
3103457

**ETL LISTED**

The product PCR 280

- conforms to the UL standard  
UL 61010-1.

- is certified to the CAN/CSA standard  
CAN/CSA C22.2 No. 61010-1-12.



# Declaration of conformity

Declaration for product(s) of the type:

**Pirani/capacitive gauge**

PCR 280

We hereby declare that the listed product satisfies all relevant provisions of the following **European Directives**.

**Electromagnetic compatibility 2014/30/EU**

**Restriction of the use of certain hazardous substances 2011/65/EU**

**Restriction of the use of certain hazardous substances, delegated directive 2015/863/EU**

**Harmonized standards and applied national standards and specifications:**

DIN EN 61000-6-2:2006-03

DIN EN 61000-6-3:2011-09

DIN EN 61010-1:2011-07

DIN EN 61326-1:2013-07

---

Signature:



(Daniel Sälzer)  
Managing Director

Pfeiffer Vacuum GmbH  
Berliner Straße 43  
35614 Asslar  
Germany

---

Asslar, 2020-01-27



## VACUUM SOLUTIONS FROM A SINGLE SOURCE

Pfeiffer Vacuum stands for innovative and custom vacuum solutions worldwide, technological perfection, competent advice and reliable service.

## COMPLETE RANGE OF PRODUCTS

From a single component to complex systems:

We are the only supplier of vacuum technology that provides a complete product portfolio.

## COMPETENCE IN THEORY AND PRACTICE

Benefit from our know-how and our portfolio of training opportunities!

We support you with your plant layout and provide first-class on-site service worldwide.

ed. B - Date 2005 - P/N:BG5181BEN



Are you looking for a  
perfect vacuum solution?  
Please contact us

Pfeiffer Vacuum GmbH  
Headquarters • Germany  
T +49 6441 802-0  
info@pfeiffer-vacuum.de

[www.pfeiffer-vacuum.com](http://www.pfeiffer-vacuum.com)

**PFEIFFER**  **VACUUM**

